

# Technical Data

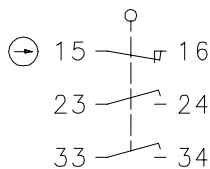
## Safety switch

### Series SK – with separate actuator

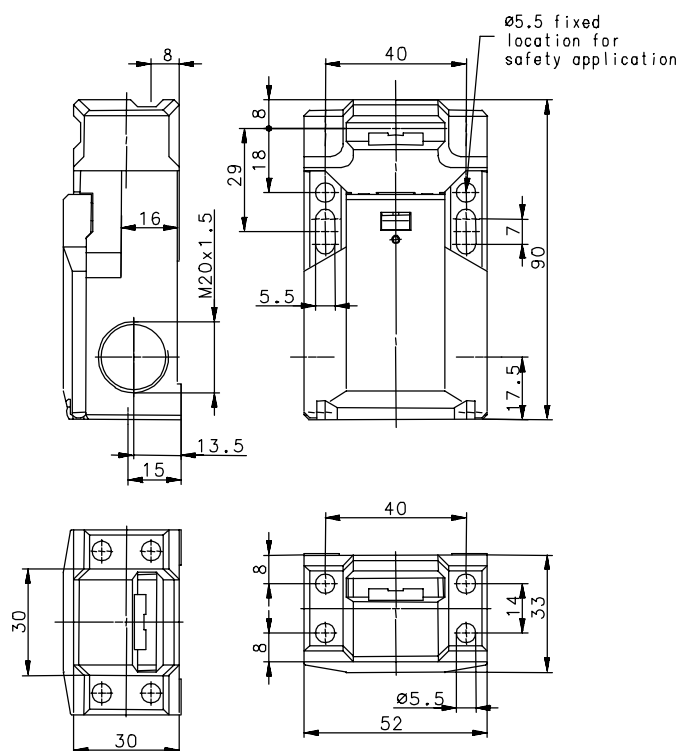
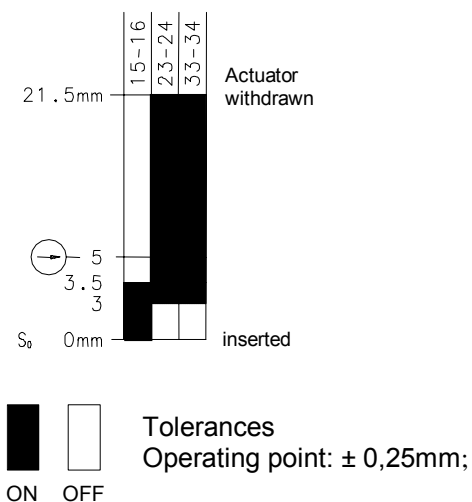
Description **SK-UV16Z FI100**

Article number **6116169184**

#### Operating symbol



#### Operating diagram



#### Electrical data

Rated insulation voltage	U <sub>i</sub>	400 VAC
Conv. thermal current	I <sub>the</sub>	5A
Utilization category		AC-15, U <sub>e</sub> /I <sub>e</sub> 240V/1,5A
Direct opening action	⊖	according to IEC/EN 60947-5-1, Annex K
Short-circuit protective device		Fuse 6A gL/gG
Protection class		II, totally insulated

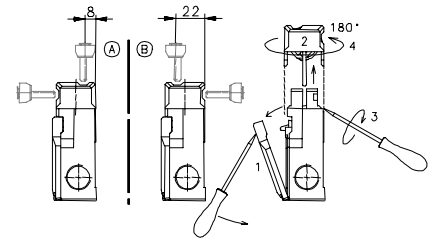
This document will not become the contractual basis; the details included herein do not constitute any descriptions of expected conditions, so that warranties/claims for defects on account of possible variations of the actual qualities from the qualities described herein are explicitly excluded. All rights reserved. Specifications subject to change without notice!

Date of issue: 16.03.2005 / Page 1 of 1  
Document : 6116169184\_en / Last update: 1 / 2175-05

Mechanical data	
Enclosure	Thermoplastic, glass fibre reinforced (UL94-V0)
Cover	Thermoplastic, glass fibre reinforced (UL94-V0)
Actuator	Separate actuator
Extraction force	100N –20%
Ambient air temperature	-30°C ... +80°C
Contact type	1 NC, 2 NO (Zb)
Mechanical life	1 x 10 <sup>6</sup> switch operations
Increased actuating force	1 x 10 <sup>5</sup> switch operations
Switching frequency	≤ 30 / min.
Assembly Safety switch	2 x M5
Connection	6 screw connections (M3)
Conductor cross-sections	Solid: 0,5 ... 1,5mm <sup>2</sup> Litz wire with ferrules: 0,5 ... 1,5mm <sup>2</sup>
Cable entrance	2 x M20 x 1,5
Weight	≈ 0,15kg
Installation position	Operator definable
Protection type	IP65 acc. to IEC/EN 60529

### Actuation

Turning the cap (pos A/B) allows 4 different directions of drive.  
 Cover (1) has to be opened before turning the cap (2).  
 Insert the screwdriver into the gap between housing and cap and turn until the cap snaps off.  
 Remove the cap, turn it 180° (4), latch it into the housing and close the cover.



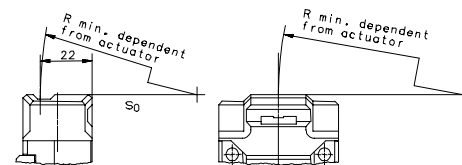
Standards	VDE 0660 T100, DIN EN 60947-1, IEC 60947-1 VDE 0660 T200, DIN EN 60947-5-1, IEC 60947-5-1 GS-ET 15
-----------	--

EU Conformity	CE
---------------	----

### Approvals

### Notes

The degree of protection (IP code) specified applies solely to a property closed cover and the use of an equivalent cable gland with adequate cable.  
 The switch may not be used as a mechanical stop.  
 Radial actuation may reduce the mechanical life.  
 Tapped holes not in use must be closed with blind plugs.  
 Only for use with Bernstein actuator.



Customer specific label (ID-No.: GKNC33LB)

This document will not become the contractual basis; the details included herein do not constitute any descriptions of expected conditions, so that warranties/claims for defects on account of possible variations of the actual qualities from the qualities described herein are explicitly excluded. All rights reserved. Specifications subject to change without notice!