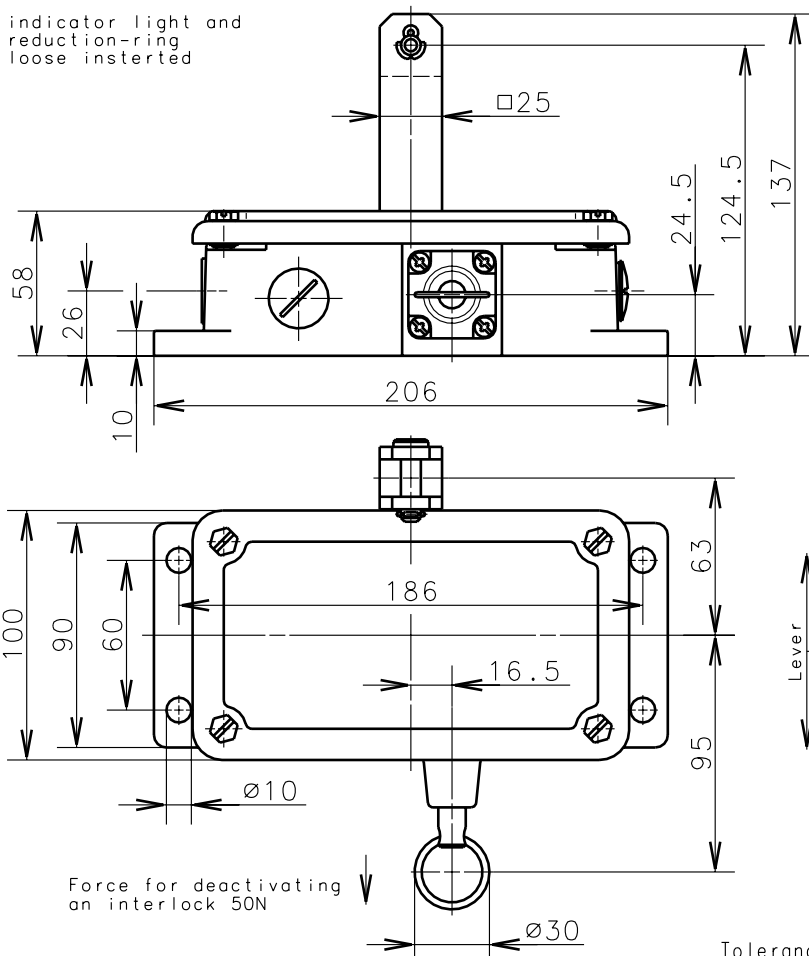
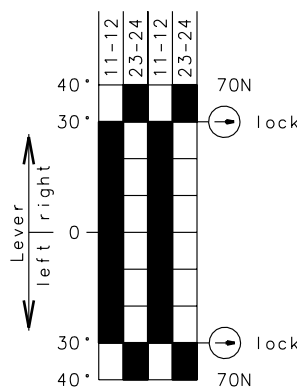
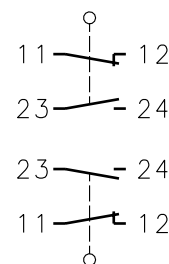


**Bernstein**Bernstein AG
Postfach 1164
D-32437 Porta Westfalica**Technical data sheet****Si2-U2Z AK R-Rast MLED****611.5735.169**indicator light and
reduction-ring
loose insertedPositive opening
operation according to
DIN EN 60947-5-1
IEC 60947-5-1Latching according to
DIN EN 418Switching
diagramSwitching
symbolTolerance: operating point $\pm 5^\circ$; actuating force $\pm 15\%$ Schutzvermerk nach DIN 34 beachten
Copyright reserved

14.07.2003

Mechanical features

Enclosure: grey iron
 Cover: grey iron
 Actuator: Lever (St)
 Ambient air temperature: -30°C up to $+80^\circ\text{C}$
 Contact type: 2 NC-contacts, 2 NO-contacts (Zb)
 Mechanical life: 1×10^6 switch operations
 Switch frequency: max. 10/min
 Mounting: 4 x M8
 Connection type: 8 screw connectons (M3.5)
 Conductor cross-section: single core 0.5-1.5mm² / litz wire with connector sleeve 0.5-1.5mm²
 Cable entry size: 3 x M20x1.5
 Reduction-ring: M20/NPT-1/2"
 Weight: approx. 3.8kg
 Rest facility: The lever locks at 30° degrees. To reset (the latching) by rotate pulling the key-ring.

Electrical features

Rated insulation voltage: $U_i = 400\text{V AC}$
 Conventional thermal current: $I_{the} = 10\text{A}$
 Max. inrush current: accord. to IEC 60947-5-1; AC 15, A300
 Utilization categorie: AC 15, A300, U_e/i_e 240V/3A
 Standards: accord. to EN 60204; EN 60947-5-1; EN 60947-5-5
 Protection class (IP-Code): IP65 accord. to EN 60529; DIN VDE 0470 T1
 CSA: 10A 300V AC, A300 (same polarity)
 Short circuit protection: Fuse 10A gL/gG, IEC/EN 60947-5-1, appendix K
 Indicator light: 24V-48V DC, $P_{max.} = 1.5\text{W}$ / 24-230V AC 50/60Hz, $P_{max.} = 1.5\text{W}$

Remarks

The moving parts should be oiled periodically.
 Rope with accessories available an request.
 The rated protection class (IP-Code) is valid only at closed cover and when using an at least equivalent cable gland.