

Technical Data

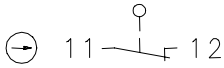
Plastic bodied limit switch

Series TI

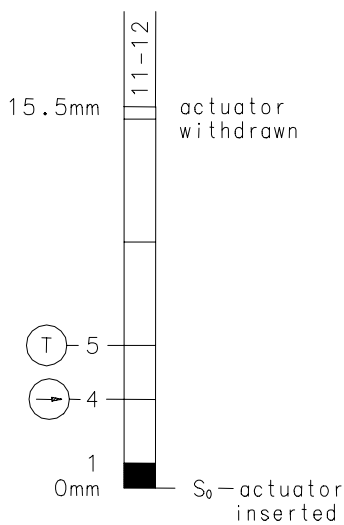
Description **TI-A1Z KS -E073AAAX-**



Article number **6114869136**

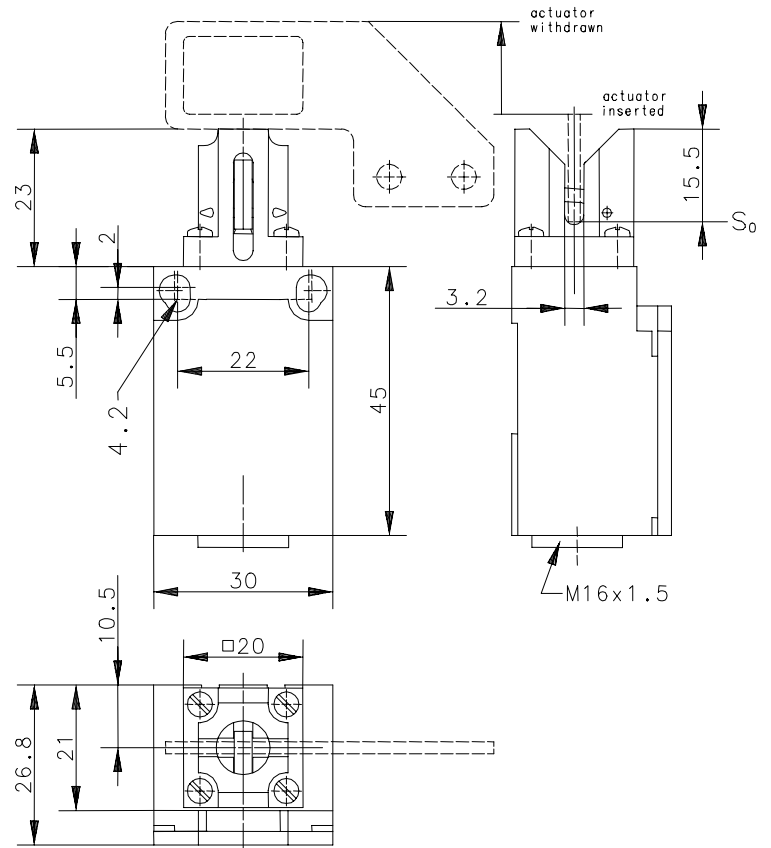
Operating symbol



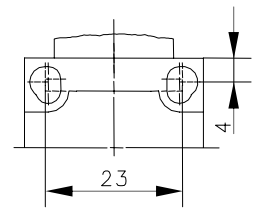
Operating diagram



 On
  Off
 Actuator inserted: 3N



Fixed positioning for
 safety applications
 Mounting screw
 according to DIN 912 M5



Electrical data

Alternating current		230 V / 2 A
Direct current		180 V / 0,5A
Direct opening action	⊖	acc. to IEC/EN 60947-5-1, Annex K
Gap between NC-contacts	⊕	acc. to DIN EN 81

This document will not become the contractual basis; the details included herein do not constitute any descriptions of expected conditions, so that warranties/claims for defects on account of possible variations of the actual qualities from the qualities described herein are explicitly excluded. All rights reserved. Specifications subject to change without notice!

Date of issue: 09.02.2006 / Page 1 of 2
 Document : 6114869136_en / Last update : 1 / 2144-06

Technical Data

Plastic bodied limit switch

Mechanical data	
Enclosure	Thermoplastic, glass fibre reinforced (UL 94-V0)
Cover	Thermoplastic, glass fibre reinforced (UL 94-V0)
Actuator	Separate actuator (by customer)
Ambient air temperature	-30°C ... +80°C
Contact type	1 NC (Y)
Mechanical life	1 x 10 ⁶ switching cycles
Switching frequency	≤ 30/min
Assembly	2 x M4
Connection	2 screw connections (M3)
Conductor cross-sections	Solid: 0.5 ... 1.5mm ² Litz wire with ferrules: 0.5 ... 1.5mm ²
Cable entrance	1 x M16x1,5
Weight	≈ 0,05kg
Installation position	Operator definable
Protection type	IP54 acc. to EN 60529; DIN VDE 0470 T1
Standards	
	VDE 0660 T100, DIN EN 60947-1, IEC 60947-1
	VDE 0660 T200, DIN EN 60947-5-1, IEC 60947-5-1
	DIN EN 81
EU Conformity	
	CE
Approvals	
	TÜV – Südwest (G236/1)

Notes

The degree of protection (IP code) specified applies solely to a property closed cover and the use of an equivalent cable gland with adequate cable.