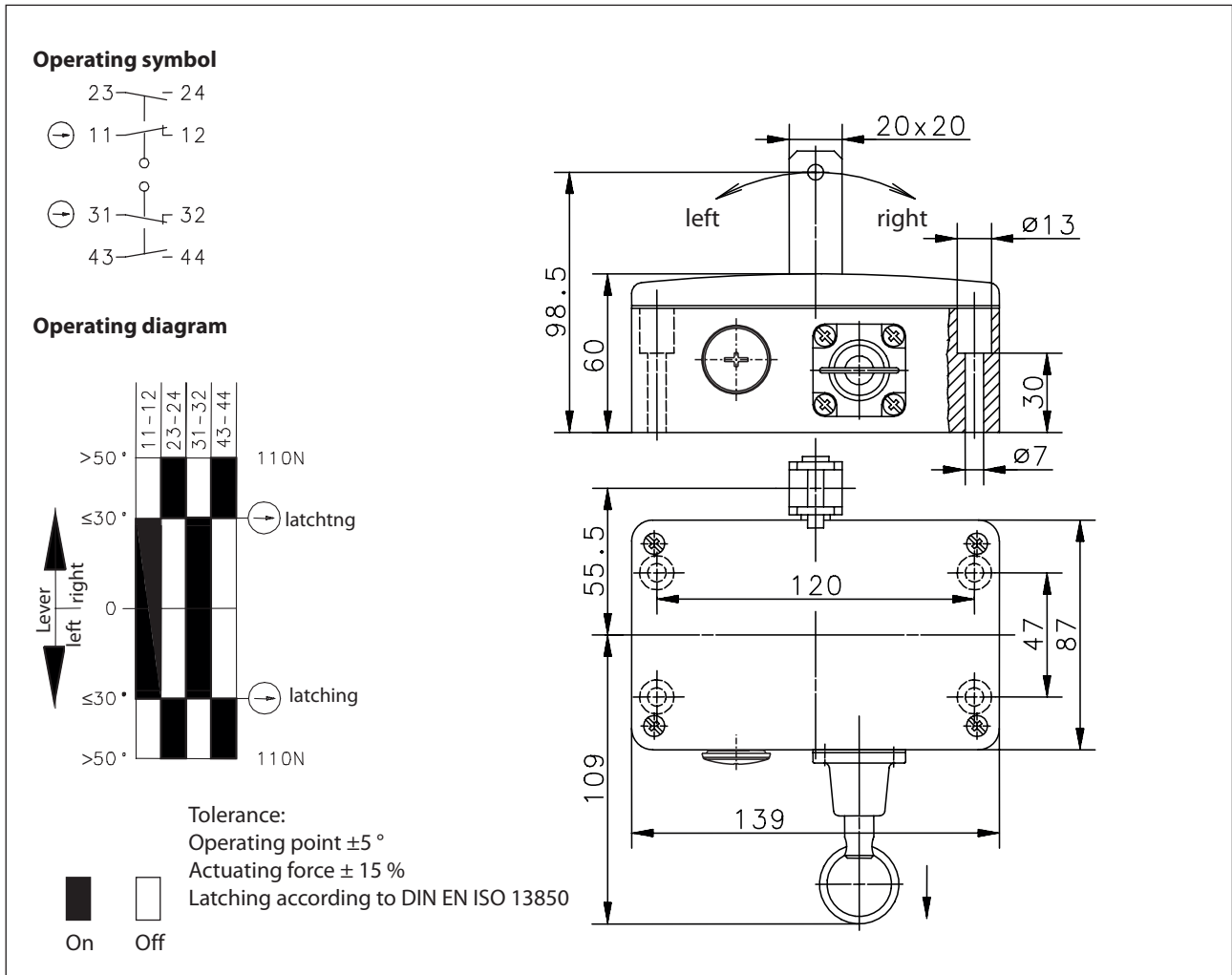


Rope pull switch

Series SI1

Description **SI1-U2Z AK R-RAST**

Article number **6114735387**



Electrical Data		
Rated insulation voltage	U_i	250 V AC
Conv. thermal current	I_{the}	10 A
Rated operational voltage	U_e	240 V
Utilization category		AC-15, U_e/I_e 240 V / 3 A
Positive opening NC contact	\ominus	acc. to IEC/EN 60947-5-1, Annex K
Short-circuit protective device		Fuse 6 A gG
Protection class		I

Mechanical data	
Enclosure	Al-sand cast, RAL 5017 (traffic blue)
Cover	Al-sand cast, RAL 5017 (traffic blue)
Actuator	Lever (St)
Ambient air temperature	-30 °C to +80 °C
Contact type	2 NC, 2 NO (Zb)
Reset facility	Pulling the key-ring (≥ 50N)
Mechanical life	1 x 10 ⁶ operating cycles
Switching frequency	≤ 10 / min.
Assembly	4 x M6
Connection	8 screw terminals (M3,5)
Conductor cross-sections	Solid: 0,5 ... 1,5 mm ² Litz wire with ferrules: 0,5 ... 1,5 mm ²
Cable entrance	1 x M20 x 1,5
Weight	≈ 1,62 kg
Installation position	operator definable
Protection type	IP65 acc. to IEC/EN 60529

ID for safety engineering	
B10d	2 x 10 ⁶ cycles

Standards	
	DIN EN 60947-5-1
	DIN EN ISO 13849-1

EU Conformity	
	acc. to directive 2014/35/EU (Low-Voltage-Directive)

Notes	
The degree of protection (IP code) specified applies solely to a property closed cover and the use of an equivalent cable gland with adequate cable.	