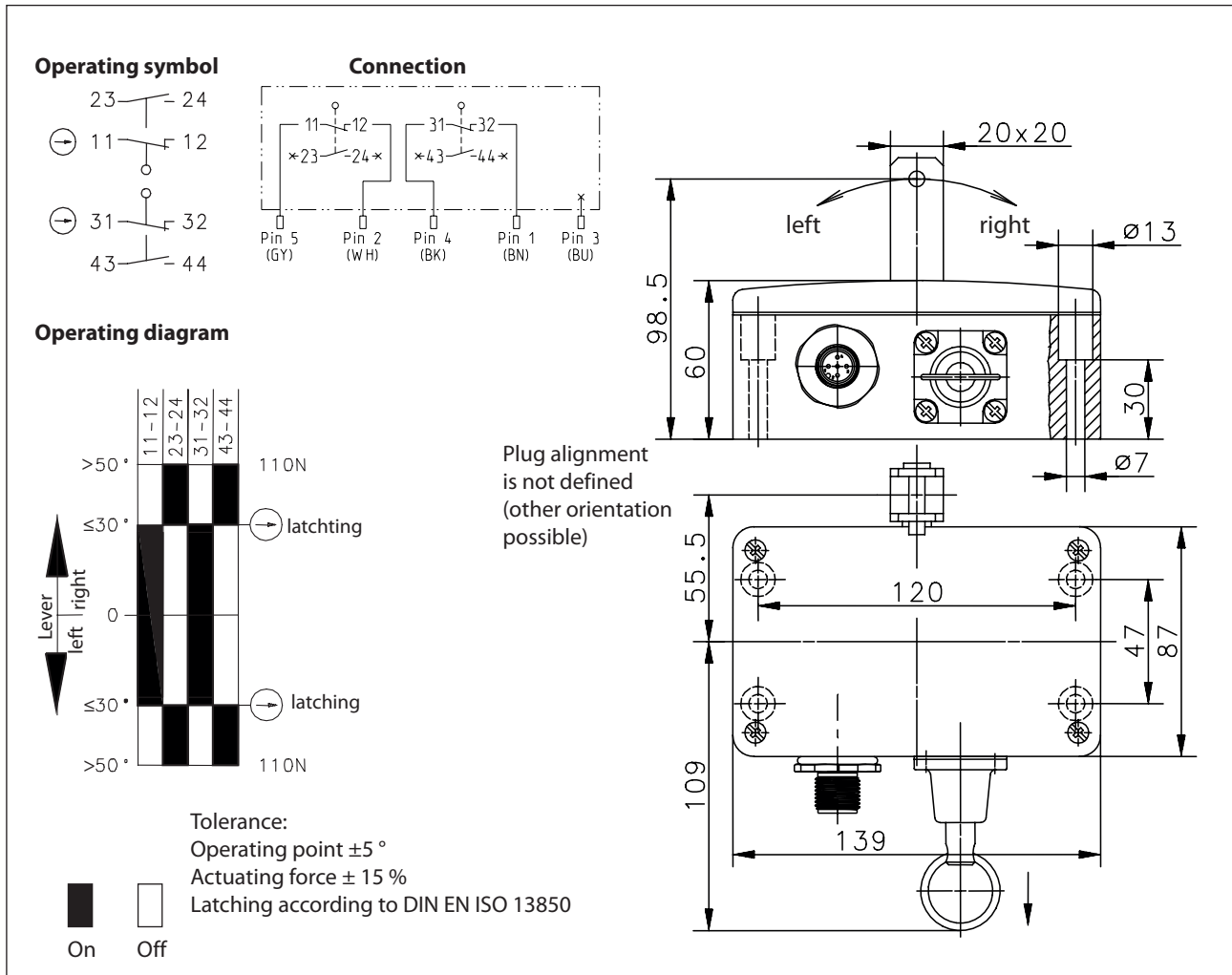


# Rope pull switch

## Series SI1

Description **SI1-U2Z AK R-RAST M12**

Article number **6114735385**



### Electrical Data

Conv. thermal current	$I_{the}$	2,5 A
Rated operational voltage	$U_e$	50 V
Utilization category		AC-15, $U_e/I_e$ 50 V / 2,5 A
Positive opening NC contact	$\ominus$	acc. to IEC/EN 60947-5-1, Annex K
Short-circuit protective device		Fuse 4 A gG
Protection class		III (safety extra-low voltage)

Mechanical data	
Enclosure	Al-sand cast
Cover	Al-sand cast
Actuator	Lever (St)
Ambient air temperature	-30 °C to +80 °C
Contact type	2 NC, 2 NO (Zb)
Reset facility	Pulling the key-ring (≥ 50N)
Mechanical life	1 x 10 <sup>6</sup> operating cycles
Switching frequency	≤ 10 / min.
Assembly	4 x M6
Connection	Plug connector M12 x 1, A-Coded
Weight	≈ 1,62 kg
Installation position	operator definable
Protection type	IP65 acc. to IEC/EN 60529

ID for safety engineering	
B10d	2 x 10 <sup>6</sup> cycles

Standards	
	VDE 0660 T100, DIN EN 60947-1, IEC 60947-1
	VDE 0660 T200, DIN EN 60947-5-1, IEC 60947-5-1
	DIN EN ISO 13849-1

EU Conformity	
	acc. to directive 2011/65/EU (RoHS II)

Notes	
<p>The degree of protection specified (IP code) applies only to a properly closed cover and only in fully snapped - in or fully locked position with it's plugs.</p> <p>It is essential to use the appropriate cable and cable connection as stated in the electrical data.</p> <p>The plug may not be connected or disconnected according to the instruction manual (Voltage drop).</p>	