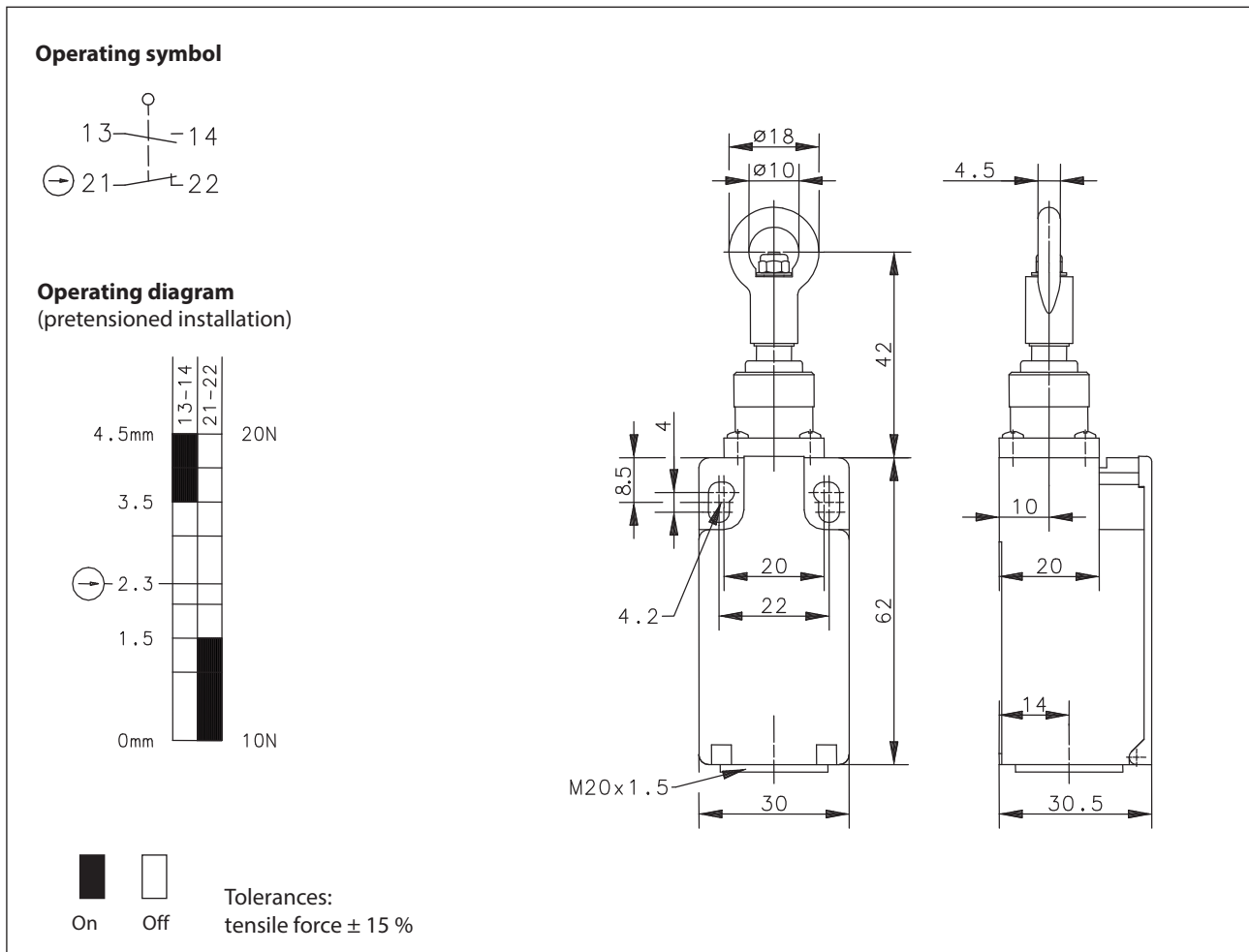


Rope pull switch Series SI

Description **SI-U1Z**

Article number **6113812289**



Characteristic features in accordance with EN 60947-5-1

Elektrische Daten		
Conv. thermal current	I_{the}	10 A
Rated operational voltage	U_e	36 V AC
Rated operational current	I_e	3 A
Utilization category		AC-15
Direct opening action	\ominus	acc. to IEC/EN 60947-5-1, annex K
Short-circuit protective device		Fuse 10 A gG
Protection class		III (safety extra-low voltage)

Mechanical data	
Enclosure	Thermoplastic, glass fibre reinforced
Cover	Thermoplastic, glass fibre reinforced
Actuator	Pull ring (Zn-die cast; rotatable, without stop)
Ambient air temperature	-30 °C ... +80 °C
Contact type	1 NC, 1 NO (Zb)
Mechanical life	1 x 10 ⁶ operating cycles
Switching frequency	≤ 50 / min.
Assembly	2 x M4
Connection	4 screw terminals (M3,5)
Conductor cross-sections	Solid: 0,5 ... 1,5 mm ² Litz wire with ferrules: 0,5 ... 1,5 mm ²
Cable entrance	1 x M20 x1,5
Weight	≈ 0,09 kg
Installation position	Operator definable
Protection type	IP65 acc. to IEC/EN 60529

Standards	
	DIN EN 60947-1, IEC 60947-1
	DIN EN 60947-5-1, IEC 60947-5-1

Notes	
The degree of protection (IP code) specified applies solely to a property closed cover and the use of an equivalent cable gland with adequate cable.	