



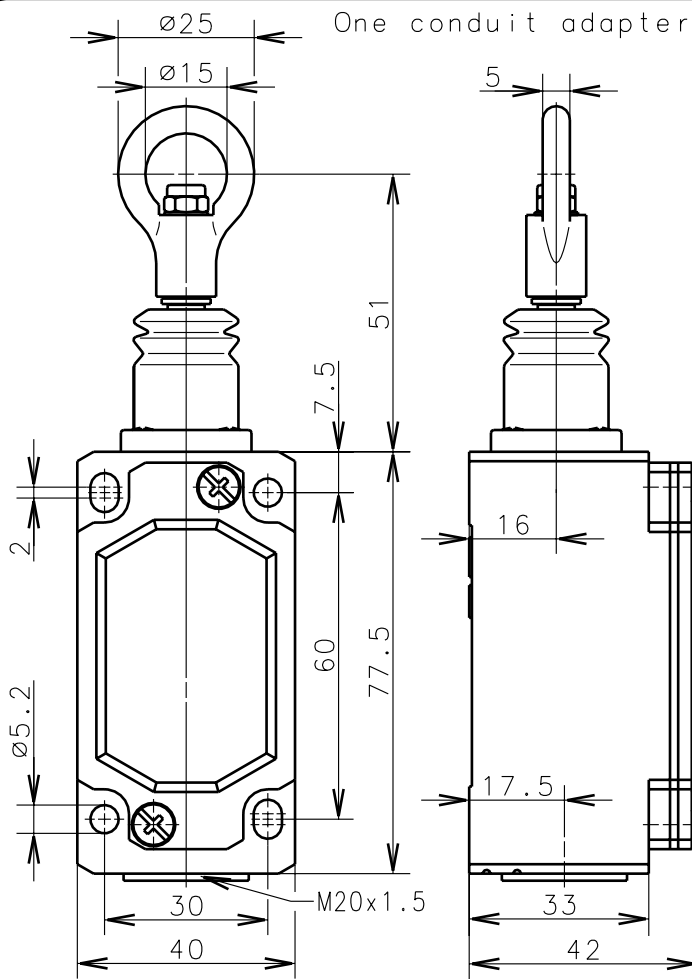
Bernstein

Bernstein AG
Postfach 1164
D-32437 Porta Westfalica

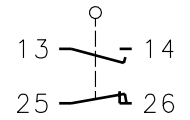
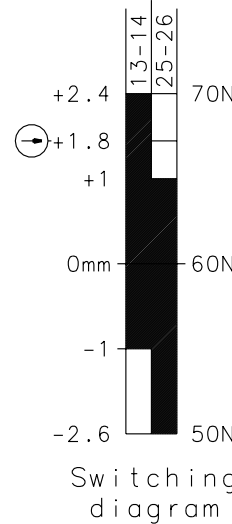
Technical data sheet

SiEM2-UV1Z

611.2831.171



Positive opening operation according to DIN EN 60947-5-1 IEC 60947-5-1



Switching symbol

Tolerance of tensile force $\pm 15\%$

Schutzvermerk nach DIN 34 beachten
Copyright reserved

Mechanical features

| | |
|------------|-------------|
| Enclosure: | Al-die cast |
| Cover: | Al-plate |
| Actuator: | Pull ring |

| | |
|--------------------------|---------------------------------|
| Ambient air temperature: | -30°C up to +80°C |
| Contact type: | 1 NC-contact, 1 NO-contact (Zb) |

| | |
|--------------------------|---------------------------------------------------------------------------------------------|
| Mechanical life: | 1×10^6 switch operations |
| Switch frequency: | max. 50/min |
| Mounting: | 4 x M5 |
| Connection type: | 4 screw connections (M3.5) |
| Conductor cross-section: | single core 0.5-1.5mm ² / litz wire with connector sleeve 0.5-1.5mm ² |
| Cable entry size: | 1 x M20x1.5 |
| Weight: | approx. 0,22 kg |

Electrical features

| | |
|-------------------------------|----------------------------------------------|
| Rated insulation voltage: | $U_i = 400$ V AC |
| Conventional thermal current: | $I_{the} = 10$ A |
| Inrush current: | accord. to IEC 60947-5-1; AC 15, A300 |
| Utilization categorie: | AC 15, A300, U_e/I_e 240V/3A |
| Standards: | accord. to EN 60947-1; EN 60947-5-1 |
| Protection class (IP-Code): | IP65 accord. to EN 60529; DIN VDE 0470 T1 |
| Short-circuit protection: | Fuse 10A gL/gG, IEC/EN 60947-5-1, appendix K |

Remarks

The moving parts should be oiled periodically.
 Max. rope length: 6 m.
 The planned protection class (IP-Code) is valid only at closed cover and when using an at least equivalent cable gland.

10.04.2003