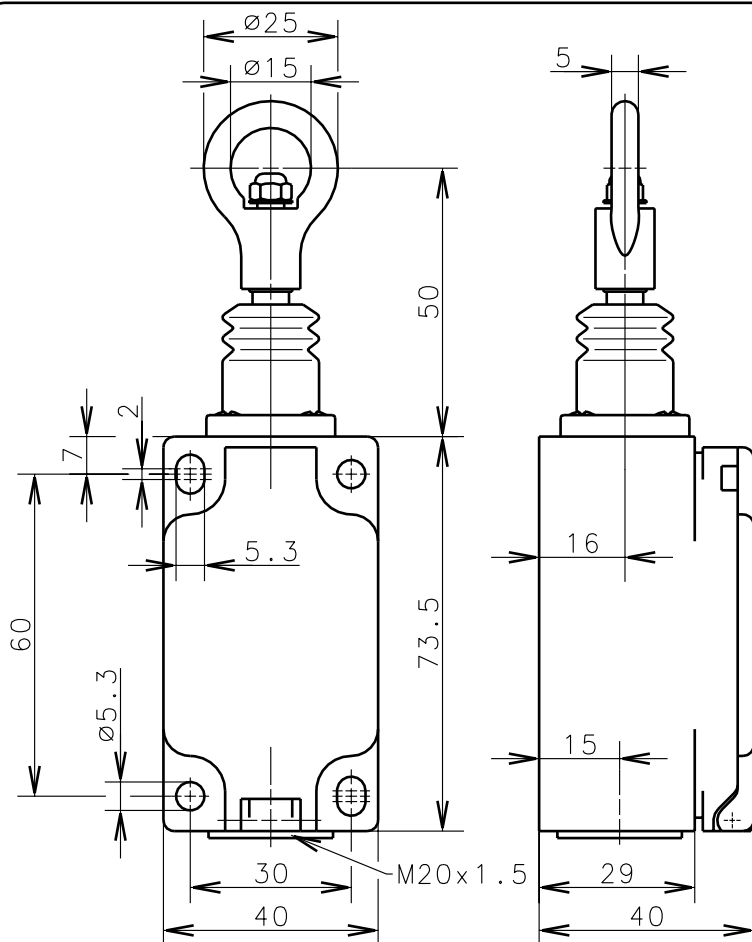
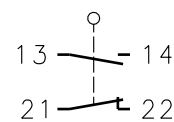
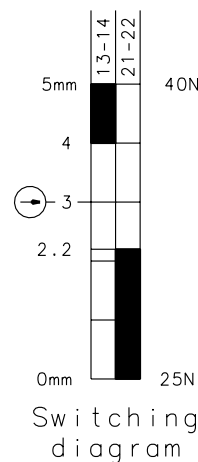


**Bernstein**Bernstein AG
Postfach 1164
D-32437 Porta Westfalica**Technical data sheet****SEK-U1Z****611.1811.123**Positive opening
operation according
to DIN EN 60947-5-1
IEC 60947-5-1Switching
symbolTolerance of tensile force $\pm 15\%$ Schutzvermerk nach DIN 34 beachten
Copyright reserved**Mechanical features**

Enclosure:

Thermoplast, glass fiber reinforced

Cover:

Thermoplast, glass fiber reinforced

Actuator:

Pull ring

Ambient air temperature:

 -30°C up to $+80^{\circ}\text{C}$

Contact type:

1 NC-contact, 1 NO-contact (Zb)

Mechanical life:

 1×10^6 switch operations

Switch frequency:

max. 50/min

Mounting:

4 x M5

Connection type:

4 screw connections (M3,5)

Conductor cross-section:

single core $0.5\text{-}1.5\text{mm}^2$ litz wire with connector sleeve $0.5\text{-}1.5\text{mm}^2$

Cable entry size:

M20x1.5

Weight:

approx. 0,17kg

Electrical featuresRated insulation voltage: $U_i = 500\text{ V AC}$ Conventional thermal current: $I_{the} = 10\text{A}$

Max. inrush current:

according to IEC 60947-5-1; AC 15, A300

Utilization categorie:

AC 15, A300, U_e/I_e 240V/3A

Standards:

according to EN 60947-1; EN 60947-5-1

Protection class (IP-Code): IP65 according to EN 60529; DIN VDE 0470 T1

CSA:

10A 300V AC, A300 (same polarity)

Short circuit protection: Fuse 10A gL/gG, IEC/EN 60947-5-1

Remarks

The moving parts should be oiled periodically.

Rope with accessories can be delivered on request.

The planned protection class (IP-Code) is valid only at closed cover
and when using an at least equivalent cable gland.

14.03.02