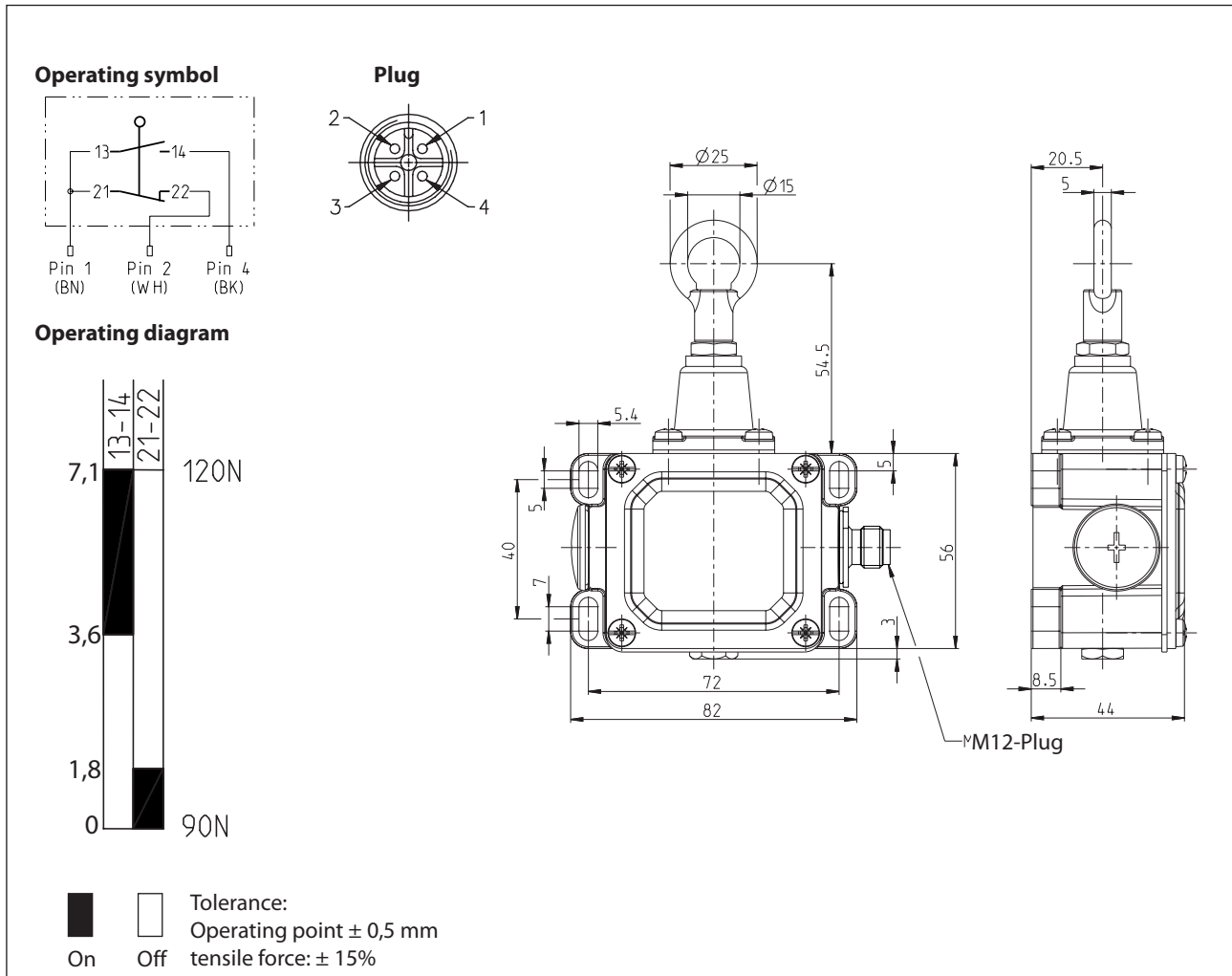


Rope pull switch Series SD

Description **SD-U1**

Article number **6111411382**



Electrical Data

| | | |
|---------------------------------|----------|-------------------------------|
| Conv. thermal current | I_{th} | 2,5 A |
| Rated operational voltage | U_e | 50 V |
| Utilization category | | AC-15, U_e/I_e 50 V / 2,5 A |
| Short-circuit protective device | | Fuse 2 A gG |
| Protection class | | III (extra- low voltage) |

| Mechanical data | |
|-------------------------|--------------------------------------|
| Enclosure | Al-die cast |
| Cover | Al-plate |
| Actuator | Pull ring (Zn-die cast) |
| Ambient air temperature | -30° C ... +80° C |
| Contact type | 1 NC, 1 NO (Za) |
| Mechanical life | 1 x 10 ⁶ operating cycles |
| Switching frequency | ≤ 50 / min. |
| Assembly | 4 x M5 |
| Connection | Plug M12 x 1, A-Code |
| Cable entrance | 1 x M20 x 1,5 |
| Weight | ≈ 0,35 kg |
| Installation position | operator definable |
| Protection type | IP65 acc. to IEC/EN 60529 |

| Standards | |
|-----------|--|
| | VDE 0660 T100, DIN EN 60947-1, IEC 60947-1 |
| | VDE 0660 T200, DIN EN 60947-5-1, IEC 60947-5-1 |

| EU Conformity | |
|---------------|--|
| | acc. to directive 2014/35/EU (Low-Voltage-Directive) |

| Notes | |
|--|--|
| The degree of protection (IP code) specified applies solely to a property closed cover and the use of an equivalent cable gland with adequate cable. | |