

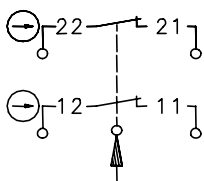
Safety switch

Series SGS

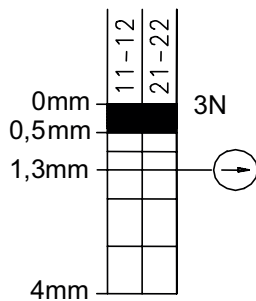
Description **SGS-SA2Z W F3**

Article number **6110853025**

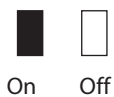
Operating symbol



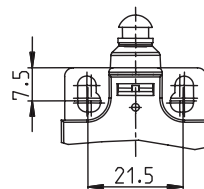
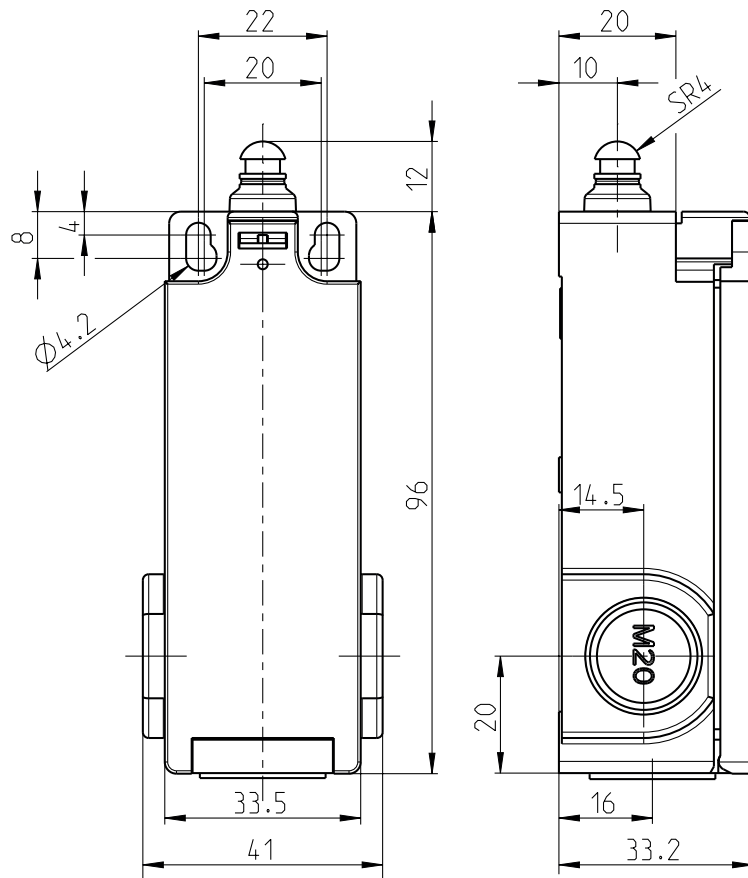
Operating diagram



Return only by pulling back the plunger.



Tolerances:
 Operating point $\pm 0,3$ mm;
 Operating force ± 2 N



Fixed positioning for safety applications
Mounting screw M5 according to DIN EN ISO 4762

| Electrical data | | |
|---------------------------------|-----------------------------------|--|
| Electrical data | II, totally insulated | |
| Protection class | | |
| Contact elements | U_i | 250 V AC |
| Rated insulation voltage | I_{the} | 10 A |
| Conv. thermal current | AC-15, U_e / I_e 240 V / 3 A | |
| Utilization category | DC-13, U_e / I_e 250 V / 0,27 A | |
| Min. Voltage | 24 V | |
| Min. Current | 5 mA | |
| Direct opening action | ⊖ | according to IEC/EN 60947-5-1, Annex K |
| Short-circuit protective device | Fuse 4 A gG | |

| Mechanical data | | |
|-------------------------------|---|--------|
| Enclosure | Thermoplastic GV self-extinguishing | |
| Cover | Thermoplastic GV self-extinguishing | |
| Actuating | Plunger (thermoplastic) | |
| Velocity for actuating | V_{max} | 0,5m/s |
| Ambient air temperature | -25 °C ... +50 °C | |
| Contact type | 2 NC (Zb) | |
| Switching principle | Snap action, bistable | |
| Mechanical life | 5 x 10 ⁴ operating cycles | |
| Assembly | 2 x M4 / 2 x M5 for safety applications | |
| Connection - contact elements | 4 screw terminals (M3,5) | |
| Conductor cross-sections | Solid: 0,5 ... 1,5 mm ² ; Litz wire with ferrules: 0,5 ... 1,5 mm ² | |
| Cable entrance | 3x M20x1,5 breakout, left, right and upside / | |
| Installation position | Operator definable | |
| Contact opening | 4 x >2 mm | |
| Protection type | IP65 acc. to IEC/EN 60529 | |

| ID for safety engineering | |
|---------------------------|----------------------------|
| B10d | 1 x 10 ⁵ cycles |

| Actuation | |
|-------------------------------------|--|
| Actuation only in plunger direction | |

| Standards | |
|--|--|
| DIN EN 60947-5-1 | |
| DIN EN ISO 13849-1; DIN EN 81-1, 81-2; 81-20 | |

| EU Conformity | |
|--|--|
| acc. to directive 2014/35/EU (Low-Voltage-Directive) | |

| Approvals | |
|--------------------|--|
| cCSA _{US} | |

Notes

The degree of protection specified (IP code) applies only to a properly closed cover and the use of an equivalent cable gland with adequate cable. The switch may not be used as a mechanical stop.

Switching device without solenoid