

Safety switch

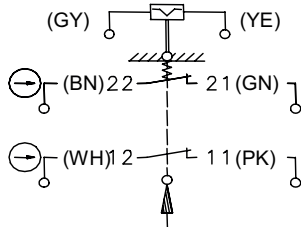
Series SGS

Description **SGS-SA2Z W F6 24V 1M**

Article number **6110853024**

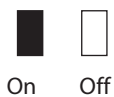
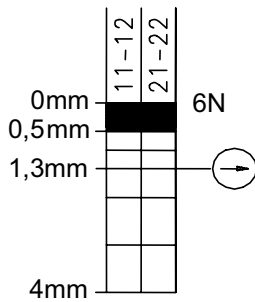
Operating symbol

Termination electromagnet with contact position

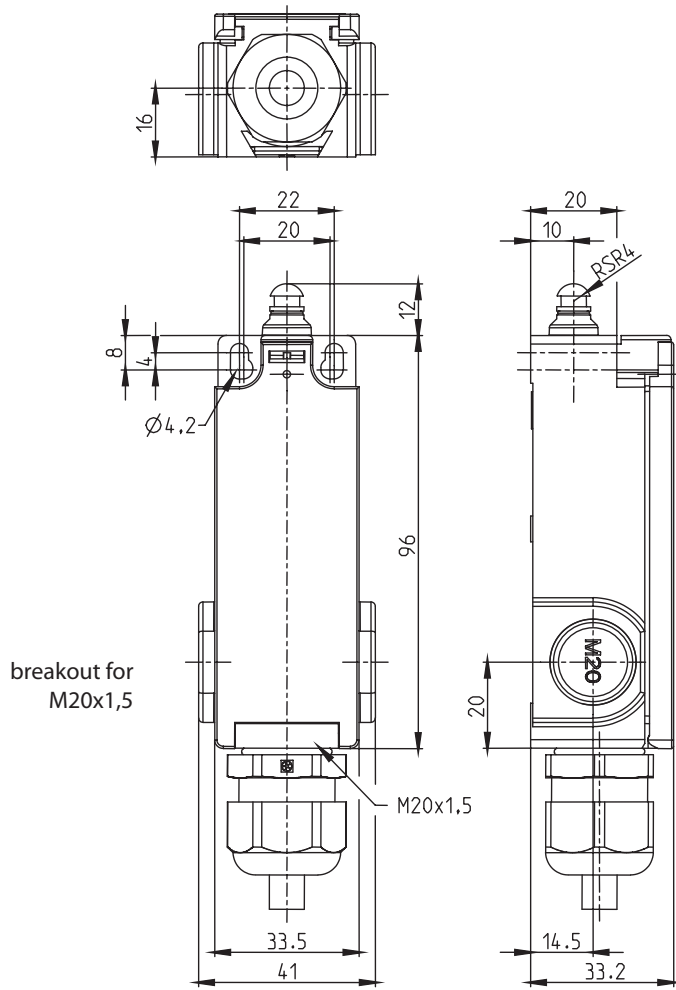


Operating diagram

(Return by E-magnet)



Tolerances:
 Operating point $\pm 0,3$ mm;
 Operating force ± 2 N



breakout for M20x1,5

Fixed positioning for safety applications
Mounting screw M5 according to DIN EN ISO 4762

Elektrische Daten		
Electrical data	II, totally insulated	
Protection class		
Contact elements	U_i	250 V AC
Rated insulation voltage	I_{the}	10 A
Conv. thermal current	AC-15, U_e / I_e 240 V / 3 A	
Utilization category	DC-13, U_e / I_e 250 V / 0,27 A	
Min. Voltage	24 V	12 V
Min. Current	5 mA	20 mA
Direct opening action	\ominus	according to IEC/EN 60947-5-1, Annex K
Short-circuit protective device	Fuse 4 A gG	
Electro magnets		
without recovery diode		
Temperature class	B (130 °C)	
Rated operational voltage	U_e	24 V DC
Operational voltage range	U_B	-15 % $\leq U_e \leq$ +10 % +10 % $< U_e \leq$ +25 %
Rated operational current	I_e	2,3 A -15 % 2,3 A -15 %
On-Time	ED	3 % 2 %
Min. On-Time	T_i	0,2 s 0,2 s
Max. On-Time	T_e	10 s 0,5 s
Min. Off-Time	T_p	180 s 27 s

Mechanical data	
Enclosure	Thermoplastic GV self-extinguishing
Cover	Thermoplastic GV self-extinguishing
Actuating	Plunger (thermoplastic)
Velocity for actuating	V_{max} 0,5m/s
Ambient air temperature	-25 °C ... +50 °C
Contact type	2 NC (Zb)
Switching principle	Magnetic snap action, bistable
Mechanical life	5 x 10 ⁴ operating cycles
Assembly	2 x M4 / 2 x M5 for safety applications
Connection - contact elements	Connecting cable 6 x 0,75 mm ² x 1 m Bending radius = 60 mm min. ¹⁾
Connection - Electro magnets	Connecting cable 6 x 0,75 mm ² x 1 m Bending radius = 60 mm min. ¹⁾
Installation position	Operator definable
Contact opening	4 x >2 mm
Protection type	IP65 acc. to IEC/EN 60529

ID for safety engineering	
B10d	1 x 10 ⁵ cycles

Actuation	
Actuation only in plunger direction	

Standards	
	VDE 0660 T100, DIN EN 60947-1, IEC 60947-1
	VDE 0660 T200, DIN EN 60947-5-1, IEC 60947-5-1
	DIN EN ISO 13849-1
	DIN EN 81-1, 81-2; 81-20

EU Conformity	
	acc. to directive 2014/35/EU (Low-Voltage-Directive)

Approvals	
	TÜV SÜD
	cCSAus A300 (same polarity)
	CCC

Notes	
The specified protection classification (IP code) applies only when the cover is closed.	
The switch may not be used as a mechanical stop.	