



Bernstein

Bernstein AG
Postfach 1164
D-32437 Porta Westfalica

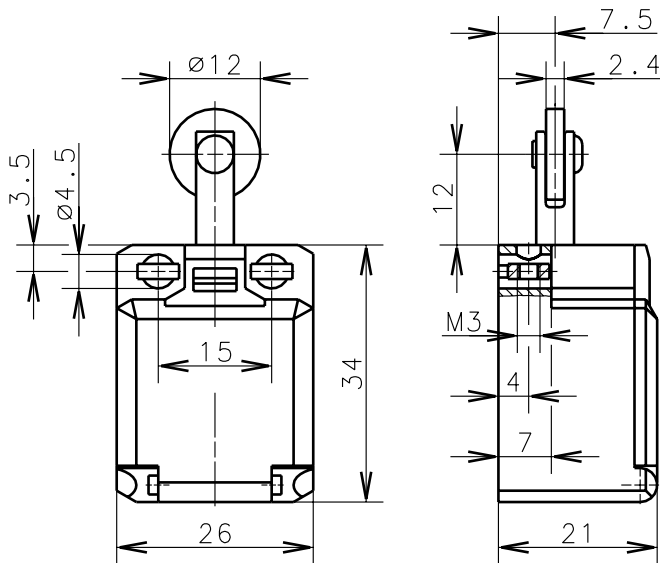
Technical data sheet

C2-U1Z R

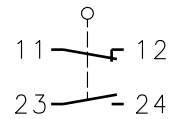
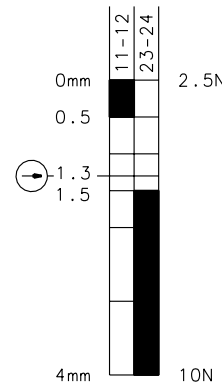
610.8116.024



Positive opening operation according to DIN EN 60947-5-1 IEC 60947-5-1



I ZMR-B211



switching diagram

switching symbol

Tolerance: operating point $\pm 0.25\text{mm}$; actuating force $\pm 10\%$

Schutzvermerk nach DIN 34 beachten
Copyright reserved

Mechanical features

Enclosure: PBT, glass fibre reinforced
Cover: PC, black
Actuator: Roller (st)

Ambient air temperature: -30°C up to $+80^\circ\text{C}$
Contact type: 1 NC-contact, 1 NO-contact (Zb)

Mechanical life: 3×10^6 switch operations
Switch frequency: max. 100/min
Mounting: from the front 2xM3
Connection type: 4 screw connections (M3.5)
Conductor cross-section: single core $0.5\text{-}1.5\text{mm}^2$ / litz wire with connector sleeve $0.5\text{-}1.5\text{mm}^2$
Cable entry size: rectangle $8.5 \times 3.5\text{mm}$
Weight: approx. 0,02kg

Electrical features

Rated insulation voltage: $U_i = 250\text{ V AC}$
Conventional thermal current: $I_{the} = 10\text{A}$
Max. inrush current: according to IEC 60947-5-1
Utilization categorie: AC 15, A300 240V/3A, 120V/6A / DC 13, Q300 250V/0.27A, 125V/0.55A
Standards: according to EN 60947-1; EN 60947-5-1
Protection class: IP30 according to EN 60529; DIN VDE 0470 T1
CSA: 10A 300V AC, A300
Short circuit protection: Fuse 6A gL/gG, IEC/EN 60947-5-1, appendix K

Approach possibilities

The push bolt actuator is mainly intended to be actuated along it's axis. Side actuation will considerably reduce switch life.

05.01.04