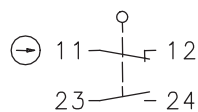


Plastic bodied limit switch Series C2

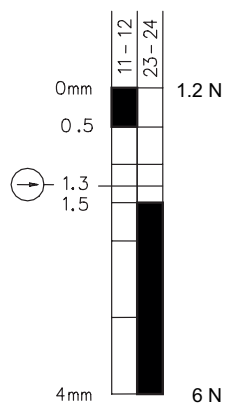
Description **C2-U1Z LS O.M.**



Article number **6108101035**

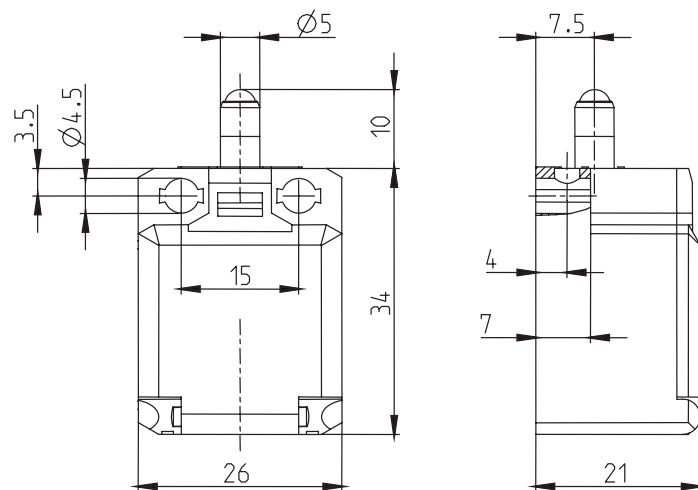
Operating symbol



Operating diagram



 Tolerance:
 Operating point $\pm 0,25$ mm;
 Operating torque ± 10 %
 On Off



Electrical Data

Rated insulation voltage	U_i	250 V AC
Conv. thermal current	I_{the}	10 A
Rated operational voltage	U_e	240 V
Utilization category		AC-15, U_e/I_e 240 V / 3 A
Direct opening action	\ominus	acc. to IEC/EN 60947-5-1, Annex K
Short-circuit protective device		Fuse 6 A gG
Protection class		II, totally insulated

Mechanical data	
Enclosure	Thermoplastic, glass fibre reinforced (UL 94-V0)
Cover	Thermoplastic
Actuator	Push bolt (st)
Ambient air temperature	-30 °C ... +80 °C
Contact type	1 NC, 1 NO (Zb)
Mechanical life	3 x 10 ⁶ operating cycles
Switching frequency	≤ 100 / min.
Assembly	2 x M4
Connection	4 screw connections (M3,5)
Conductor cross-sections	Solid: 0,5 - 1,5 mm ² Litz wire with ferrules: 0,5 - 1,5 mm ²
Cable entrance	Rectangle 8,5 x 3,5 mm
Weight	≈ 0,02 kg
Installation position	operator definable
Protection type	IP20 acc. to EN 60529; DIN VDE 0470 T1 IP30 will be reached when all contacts are connected with outer wire diameter ≥ 2,2 mm.

Actuation
The push bolt actuator is mainly intended to be actuated along its axis. Side actuation will considerably reduce switch life. The switch may not be used as a mechanical stop.

Standards
DIN EN 60947-5-1

EU Conformity
acc. to directive 2014/35/EU

Approvals
cCSA _{US} , UL

Notes
The specified protection classification (IP code) applies only when the cover is closed.