

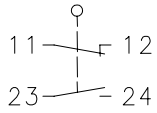
Technical Data

Plastic bodied limit switch

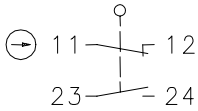
Description **P-U1/C-U1Z**

Article number **6102000181**

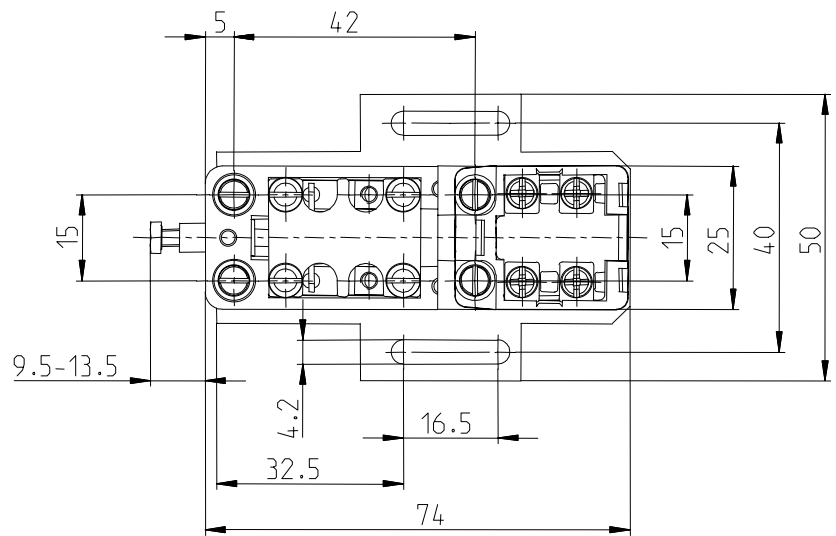
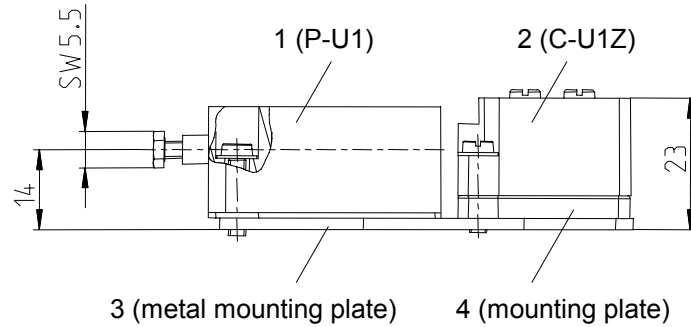
Operating symbol



Pos. 1



Pos. 2



Electrical data

Rated insulation voltage	U_i	400V AC
Conv. thermal current	I_{the}	6A
Rated operational voltage	U_e	240V AC
Utilization category		AC-15, U_e/I_e 240V/3A
Direct opening action	\ominus	acc. to IEC/EN 60947-5-1, Annex K
Short-circuit protective device		Fuse 6A gL/gG

This document will not become the contractual basis; the details included herein do not constitute any descriptions of expected conditions, so that warranties/claims for defects on account of possible variations of the actual qualities from the qualities described herein are explicitly excluded. All rights reserved. Specifications subject to change without notice!

Date of issue: 20.07.2005 / Page 1 of 2
Document : 6102000181_en / Last update : 2 / 2598-05

Technical Data

Plastic bodied limit switch

Mechanical data

Enclosure (Pos. 1, 2), mounting plate (Pos. 4)	Thermoplastic, glass fibre reinforced
Metal mounting plate (Pos. 3)	Steel
Ambient air temperature	-30°C ... +80°C
Contact type Pos. 1	1 NC, 1 NO
Pos. 2	1 NC, 1 NO (Za)
Mechanical life	3 x 10 ⁶ switching cycles
Switching frequency	≤ 100/min
Connection	8 screw connections (M3)
Weight	≈ 0,07kg
Installation position	Operator definable
Protection type	IP00 acc. to EN 60529; DIN VDE 0470 T1

Actuation

Actuating the device is possible only in direction of the plunger.

Standards

VDE 0660 T100, DIN EN 60947-1, IEC 60947-1
VDE 0660 T200, DIN EN 60947-5-1, IEC 60947-5-1

EU Conformity



Notes

Because of the open construction of the device there is no special protection against ingressing of water and touching parts under voltage