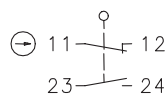


Plastic bodied limit switch Series C

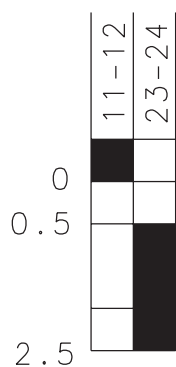
Description **C-U1Z**



Article number **6101101133**

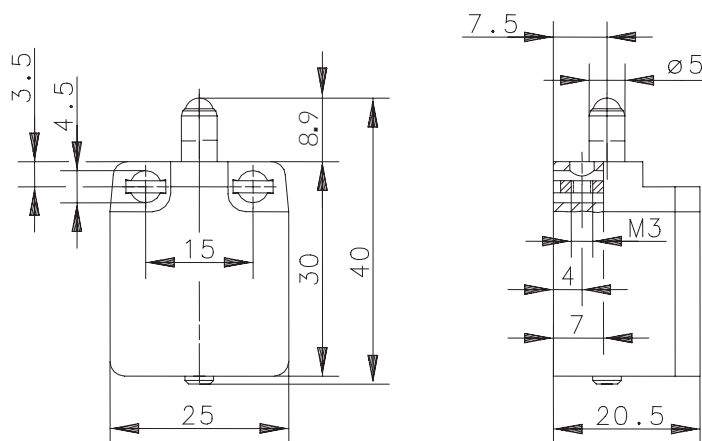
Operating symbol




Operating diagram



 On
  Off
 Tolerance:
 Operating point $\pm 0,25$ mm



Electrical Data

Rated insulation voltage	U_i	400 V AC
Conv. thermal current	I_{the}	6 A
Rated operational voltage	U_e	240 V
Utilization category		AC-15, U_e / I_e 240 V / 3 A
Direct opening action		acc. to IEC/EN 60947-5-1, Annex K
Short-circuit protective device		Fuse 6 A gG

Mechanical data	
Enclosure	Thermoplastic, glass fibre reinforced
Cover	Thermoplastic, crystal clear
Actuator	Plunger (steel)
Ambient air temperature	-30 °C ... +80 °C
Contact type	1 NC, 1 NO (Za)
Mechanical life	3 x 10 ⁶ switching cycles
Switching frequency	≤ 100/min
Assembly	From the top 2 x M4, from the front 2 x M3
Connection	4 screw connections (M3)
Conductor cross-sections	Solid: 0,5 ... 1,5 mm ² Litz wire with ferrules: 0,5 ... 1,5 mm ²
Cable entrance	Rectangle 8 x 2 mm and 5 x 5 mm
Weight	≈ 0,03 kg
Installation position	Operator definable
Protection type	IP30 acc. to EN 60529; DIN VDE 0470 T1

ID for safety engineering	
B10d	6 x 10 ⁶ cycles

Actuation
The push bolt actuator is mainly intended to be actuated along its axis. Side actuation will considerably reduce switch life. The switch may not be used as a mechanical stop.

Standards
VDE 0660 T100, DIN EN 60947-1, IEC 60947-1
VDE 0660 T200, DIN EN 60947-5-1, IEC 60947-5-1
DIN EN ISO 13849-1

EU Conformity
acc. to directive 2014/35/EU (Low-Voltage-Directive)

Notes
The degree of protection (IP code) specified above applies solely when the cover is closed properly.