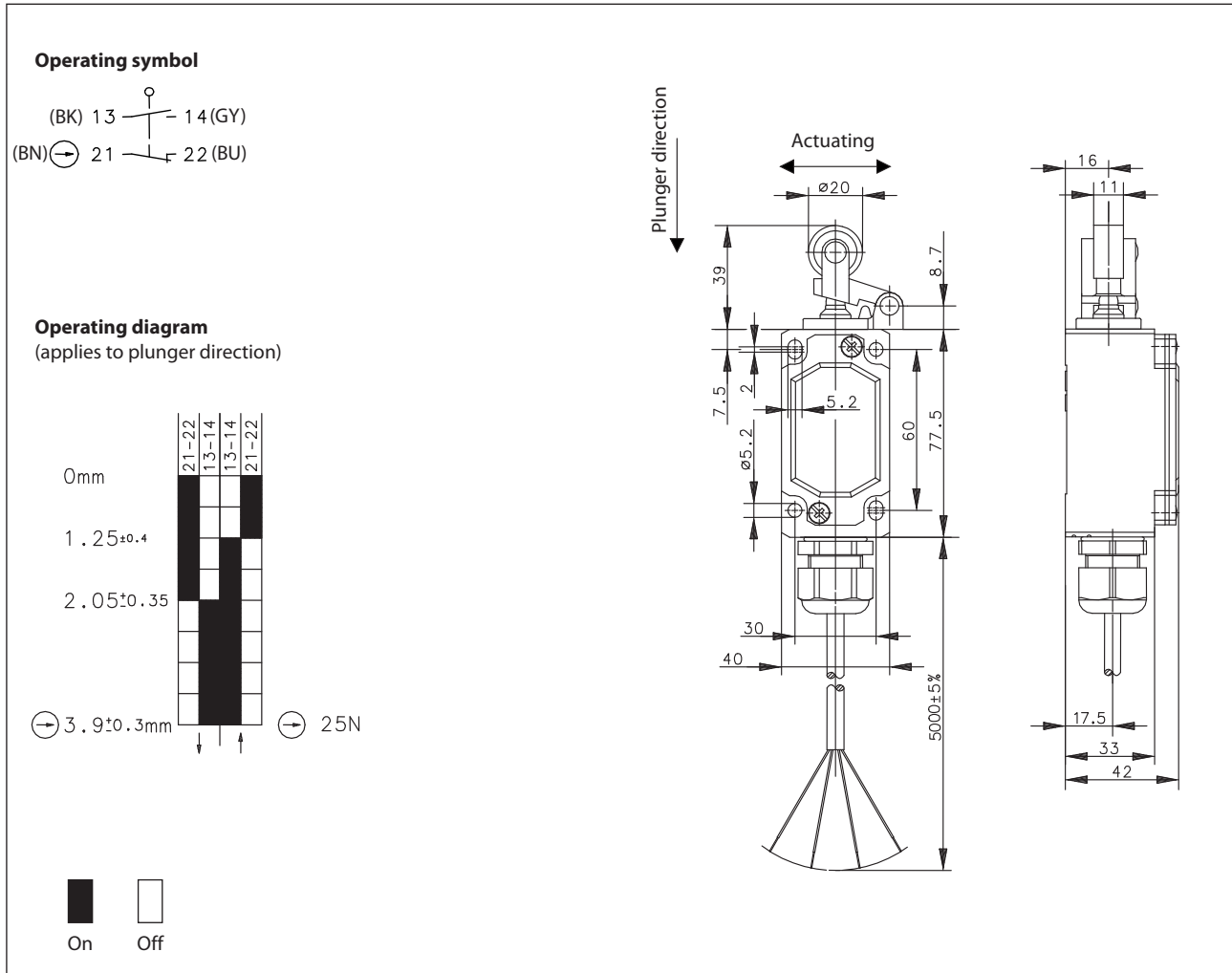


Metal bodied limit switch - Ex II 2 G
 Series ENM2-EX Ex II 2 D

Description **ENM2-SU1Z EX HW -5M-**

Article number **6097171074**





| Electrical Data | | |
|---------------------------------|-----------|---|
| Rated insulation voltage | U_i | 250 V AC |
| Conv. thermal current | I_{the} | 5 A |
| Rated operational voltage | U_e | 230 V |
| Utilization category | | AC-15, U_e/I_e 240 V / 3 A; DC-13, U_e/I_e 250 V / 0,27 A |
| Positive opening NC contact | | acc. to IEC/EN 60947-5-1, Annex K |
| Short-circuit protective device | | Fuse 4 A gG (with safety function) Fuse 6 A gG |
| Protection class | | II, fully insulated (see notes) |

| Mechanical data | |
|---|--|
| Enclosure | Die-cast aluminium |
| Cover | Sheet aluminium |
| Actuator | Lever (st), roller (thermoplastic) |
| Ambient air temperature | -20 °C ... +60 °C |
| Maximum surface temperature | +80 °C / T6 |
| Contact type | 1 NC, 1 NO (Zb) |
| Mechanical life | 2 x 10 ⁶ operating cycles |
| Mechanical switching frequency | ≤ 50 / min. |
| Switching frequency under max. load | ≤ 20 / min. (AC), ≤ 15 / min. (DC) |
| Permissible actuating speed | ≥ 10 mm / min; ≤ 1 m/s |
| Assembly | 4 x M5 |
| Connection | Control cable (with wire end ferrules) |
| Conductor cross-sections | 4 x 0,75mm ² |
| Cable entrance | 1 x cable gland M20x1.5 |
| Weight | Approx. 0,53 kg |
| Installation position | Any, installed in a protected position on the underside of the enclosure |
| Protection type of the installed switch block | IP66/IP67 acc. to IEC/EN 60529 |

| ID for safety engineering | |
|---------------------------|----------------------------|
| B10d | 4 x 10 ⁶ cycles |

| Actuation | |
|--|--|
| The actuating device is preferably started from 2 sides. | |

| Standards | |
|-----------|--|
| | VDE 0660 T100, DIN EN 60947-1, IEC 60947-1 |
| | VDE 0660 T200, DIN EN 60947-5-1, IEC 60947-5-1 |
| | VDE 0170-1, DIN EN 60079-0, IEC 60079-0 |
| | VDE 0170-5, DIN EN 60079-1, IEC 60079-1 |
| | VDE 0170-15, DIN EN 60079-31, IEC 60079-31 |
| | DIN EN ISO 13849-1 |

| Explosion Protection | |
|----------------------|--|
| |  II 2 G Ex db IIC T6 Gb |
| |  II 2 D Ex tb IIIC T80°C Db |

| EU-Type Examination Certificate | |
|---------------------------------|-------------------|
| Metal switch complete | TÜV 03 ATEX 2043X |
| Installed switch block | TÜV 03 ATEX 2021X |

| BG-Type Examination Certificate | |
|---------------------------------|------------------------|
| | Installed switch block |
| | GS-ET-15 |

EU Conformity

acc. to explosion-protection directive 2014/34/EU

Notes

The switching unit must be securely installed.
The cable must be securely laid and protected against mechanical damage.
The metal enclosure of the switch must be earthed if the enclosure can be expected to develop a hazardous charge during operation.
The switch may not be used as a mechanical stop.
Other cable lengths on request.