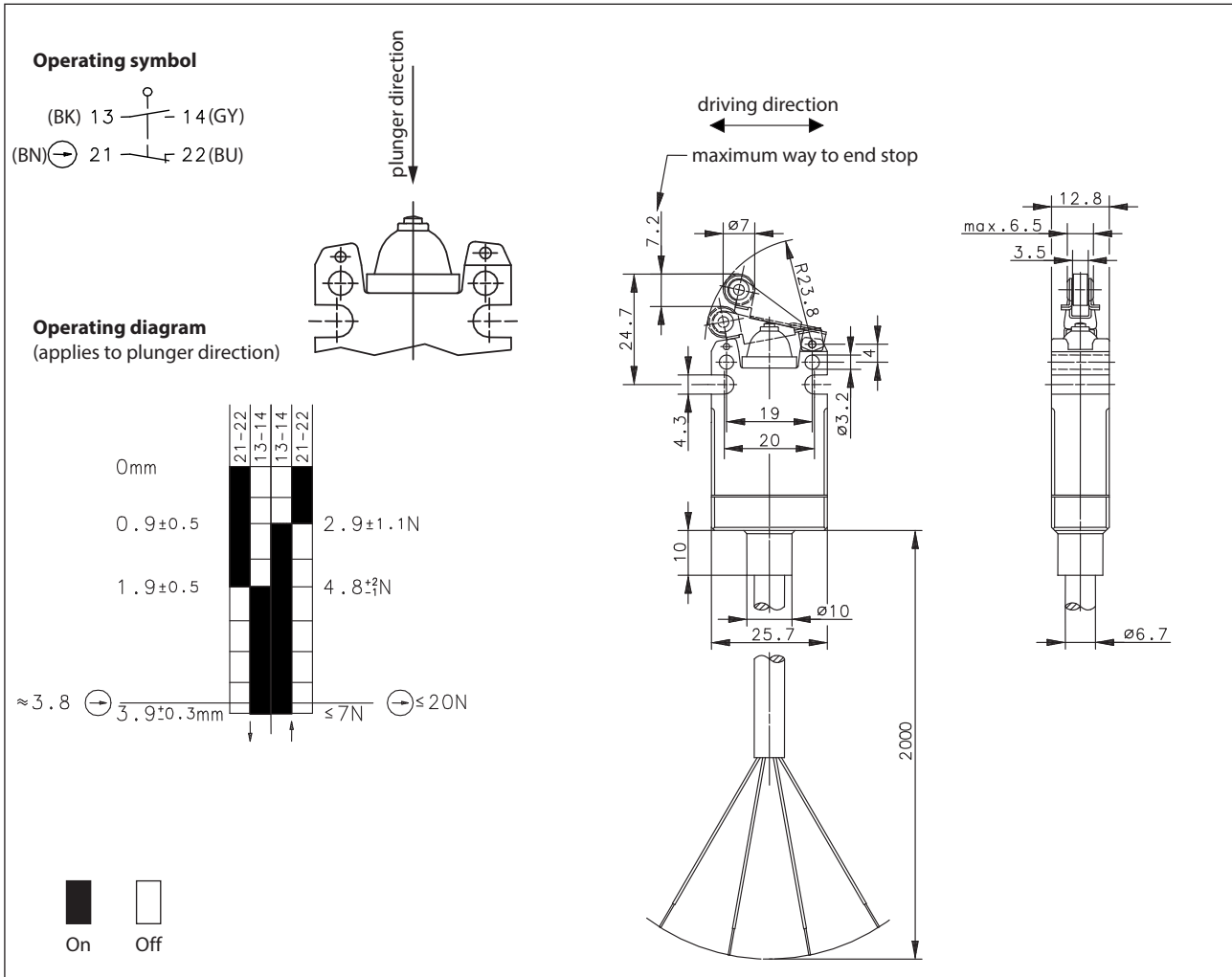


Plastic bodied limit switch - Ex II 2 G
Series EEx Ex II 2 D

Description **EEX-SU1Z RHL -2M-**

Article number **6090149027**





Electrical Data		
Rated insulation voltage	U_i	250 V AC
Conv. thermal current	I_{the}	5 A
Rated operational voltage	U_e	230 V
Utilization category		AC-15, U_e/I_e 240 V / 3 A; DC-13, U_e/I_e 250 V / 0,27 A
Positive opening NC contact	\ominus	acc. to IEC/EN 60947-5-1, Annex K
Short-circuit protective device		Fuse 4 A gG (with safety function) Fuse 6 A gG and 10 A gG
Protection class		II, fully insulated

Mechanical data	
Enclosure	PEI (UL94-5VA)
Actuator	Lever with roller
Ambient air temperature	-20 °C ... +60 °C
Maximum surface temperature	80 °C / T6
Contact type	1 NC, 1 NO (Zb)
Mechanical life	2 x 10 ⁶ switching cycles (maintenance-free)
Mechanical switching frequency	≤ 120 / min.
Switching frequency under max. load	≤ 20 / min. (AC), ≤ 15 / min. (DC)
Permissible actuating speed	≥ 10 mm / min; ≤ 1 m/s
Assembly	2 x M3
Connection	Control cable (with wire end ferrules)
Conductor cross-sections	4 x 0,75mm ²
Cable entrance	potted
Weight	Approx. 0,15 kg
Installation position	Any
Protection type of the installed switch block	IP66/IP67 acc. to IEC/EN 60529

ID for safety engineering	
B10d	4 x 10 ⁶ cycles

Actuation	
The actuating device is preferably started from 2 sides.	

Standards	
	VDE 0660 T100, DIN EN 60947-1, IEC 60947-1
	VDE 0660 T200, DIN EN 60947-5-1, IEC 60947-5-1
	VDE 0170-1, DIN EN 60079-0, IEC 60079-0
	VDE 0170-5, DIN EN 60079-1, IEC 60079-1
	VDE 0170-15, DIN EN 60079-31, IEC 60079-31
	DIN EN ISO 13849-1

Explosion Protection	
	 II 2 G Ex db IIC T6 Gb
	 II 2 D Ex tb IIIC T80°C Db

Test Certificate	
	TÜV 03 ATEX 2021X

BG-Type Examination Certificate	
	GS-ET-15

EU Conformity	
	acc. to explosion directive 2014/34/EU
	acc. to machinery directive 2006/42/EC

Approvals	
UL / CSA	CSA _{US} A300/Q300
	CCC

Positive opening operation of the switch
To ensure the positive opening operation the maximum travel of the switch (approx. 3,9 mm) should be established and the travel distance reduced by approx. 0,1mm (in order not to destroy the switch).

Notes
<p>The cable must be securely laid and protected against mechanical damage.</p> <p>According to DIN EN 60079-0 the switch must be protected against impact when it is used in explosive areas.</p> <p>If the connection is also realized in a hazardous location use a box for this which complies with an acknowledged type of protection according to DIN EN 60079-0.</p> <p>The safety level of the gap is higher than in the standard DIN EN 60079-1 required security level.</p> <p>The switch is to establish protected from UV light.</p> <p>The switch may not be used as a mechanical stop.</p> <p>The indicated data refer to an operation in direction of the plunger.</p> <p>Other cable lengths on request.</p>