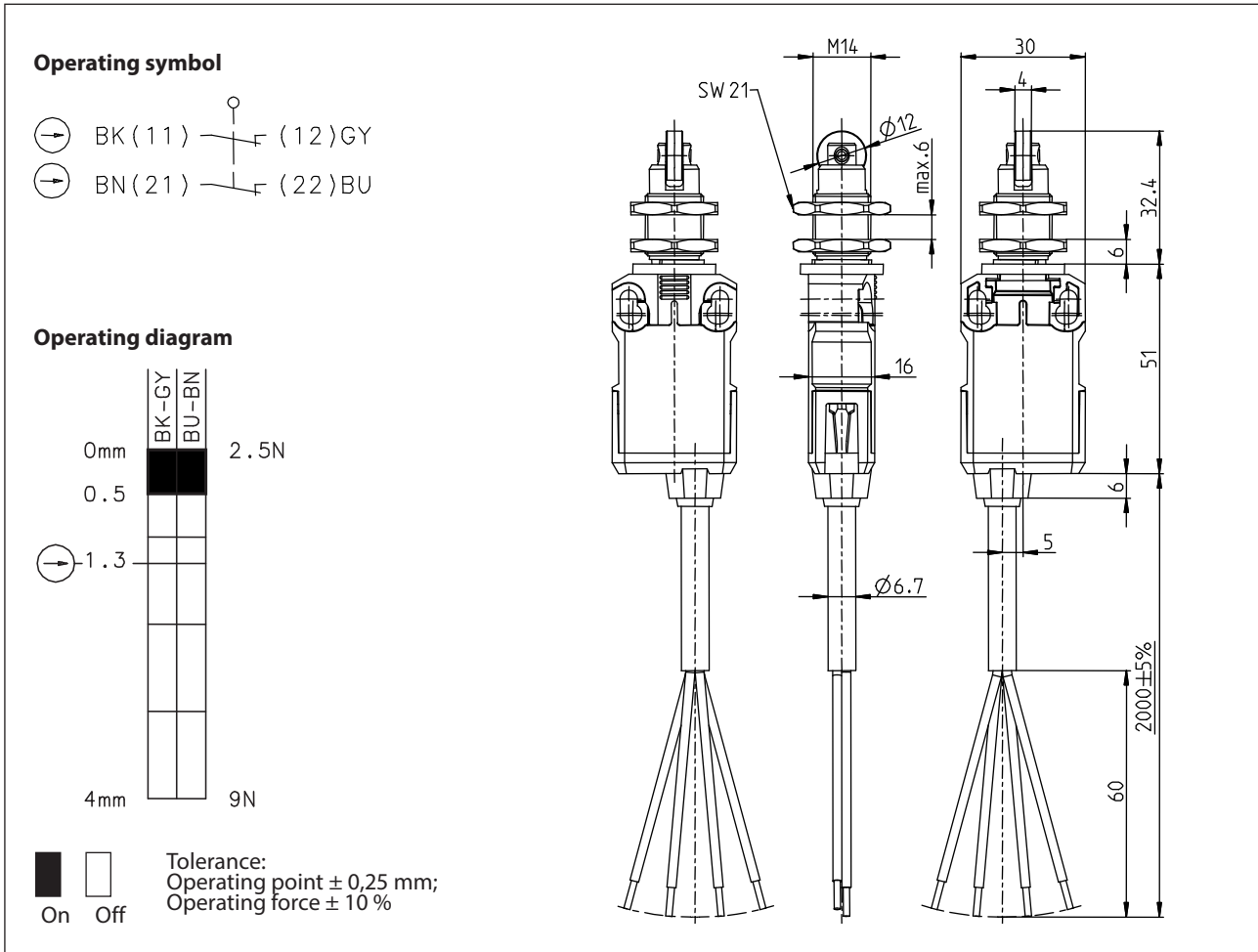


Plastic bodied limit switch Series IF

Description **IF-A2Z RIWF 90GR**

Article number **6089817033**



Electrical Data

Rated insulation voltage	U_i	250 V AC
Conv. thermal current	I_{the}	10 A
Rated operational voltage	U_e	240 V
Utilization category		AC-15, U_e/I_e 240 V / 3 A
Direct opening action		acc. to IEC/EN 60947-5-1, annex K
Short-circuit protective device		Fuse 6 A gG
Protection class		II, totally insulated

Mechanical data	
Enclosure	PA6 (glass fibre reinforced)
Cover	PA6 (glass fibre reinforced)
Actuator	Roller (steel)
Ambient air temperature	-25 °C ... +70 °C (cable in fixed position)
Contact type	Slow action, 2 NC (Zb)
Mechanical life	3 x 10 ⁶ switching cycles
Switching frequency	≤ 30 / min.
Assembly	Front mounting with 2x hexagonal nut M14 x 1 SW21
Connection	Cable 4 x 0,75 mm ²
Weight	≈ 0,21 kg
Installation position	operator definable
Protection type	IP67 acc. to IEC/EN 60529; DIN VDE 0470 T1

Actuation	
The actuating device is preferably started from 2 sides.	

ID for safety engineering	
B10d	6 x 10 ⁶ cycles

Standards	
VDE 0660 T100, DIN EN 60947-1, IEC 60947-1	
VDE 0660 T200, DIN EN 60947-5-1, IEC 60947-5-1	
DIN EN ISO 13849-1	

EU Conformity	
acc. to directive 2006/42/EC	

Approvals	
cCSA _{US} A300, Q300	

Notes	
The indicated protection class (IP-code) is only valid when the actuator is correctly mounted.	