

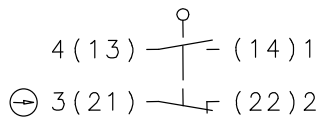
Plastic bodied limit switch Series IF

Description **IF-SU1Z RIWF 90GR AMP4**

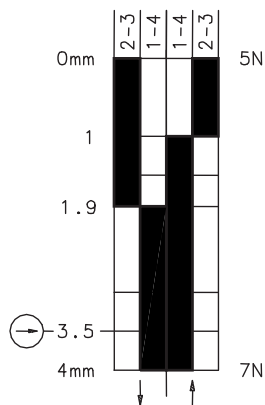
Article number **6089167035**

Operating symbol

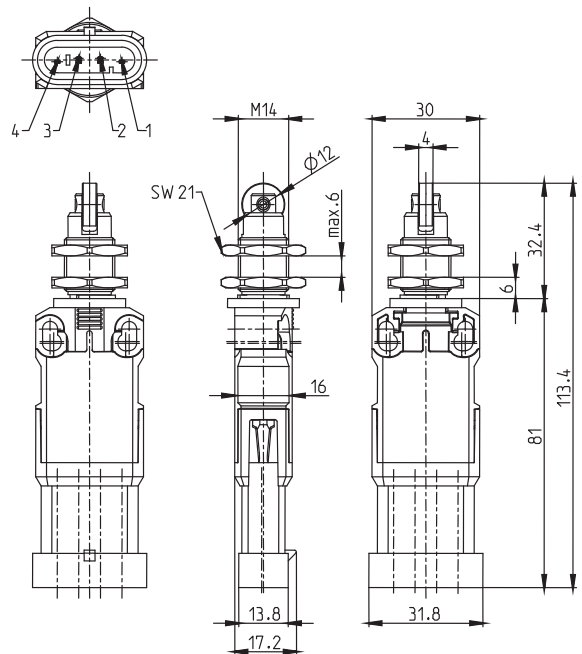
1-4 \triangle AMP - contact assignment



Operating diagram



On
 Off
 Tolerance:
Operating point $\pm 0,25$ mm;
Operating force ± 10 %



Electrical Data

| | | |
|---------------------------------|-----------|-----------------------------------|
| Rated insulation voltage | U_i | 250 V AC |
| Conv. thermal current | I_{the} | 10 A |
| Rated operational voltage | U_e | 240 V |
| Utilization category | | AC-15, U_e/I_e 240 V / 3 A |
| Direct opening action | \ominus | acc. to IEC/EN 60947-5-1, annex K |
| Short-circuit protective device | | Fuse 6 A gG |
| Protection class | | II, totally insulated |

