

Plastic bodied limit switch

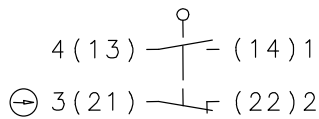
Series IF

Description **IF-SU1Z RIW AMP4**

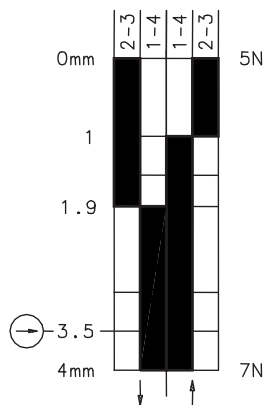
Article number **6089167022**

Operating symbol

1-4 \triangleq AMP - contact assignment



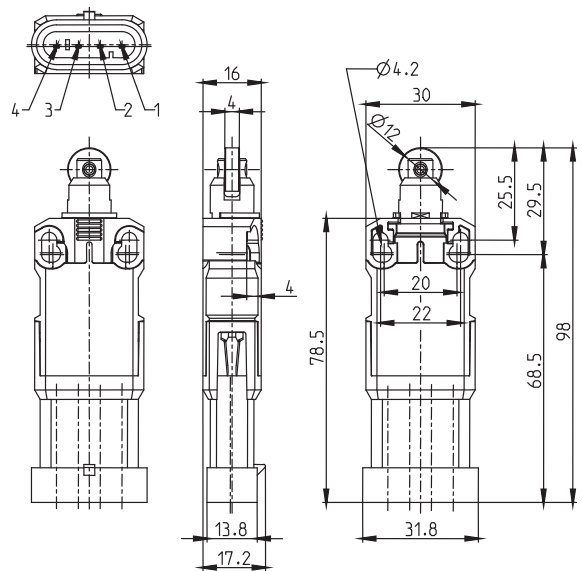
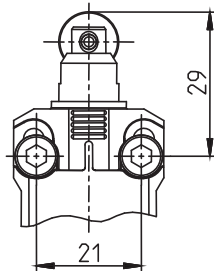
Operating diagram



On
 Off

Tolerance:
 Operating point $\pm 0,25$ mm;
 Operating force ± 10 %

Fixed positioning for safety applications
 Mounting screw M5 according to DIN 912 or DIN EN ISO 4762



Electrical Data

Rated insulation voltage	U_i	250 V AC
Conv. thermal current	I_{the}	10 A
Rated operational voltage	U_e	240 V
Utilization category		AC-15, U_e/I_e 240 V / 3 A
Direct opening action	\ominus	acc. to IEC/EN 60947-5-1, annex K
Short-circuit protective device		Fuse 6 A gG
Protection class		II, totally insulated

