



Bernstein

Bernstein AG
Postfach 1164
D-32437 Porta Westfalica

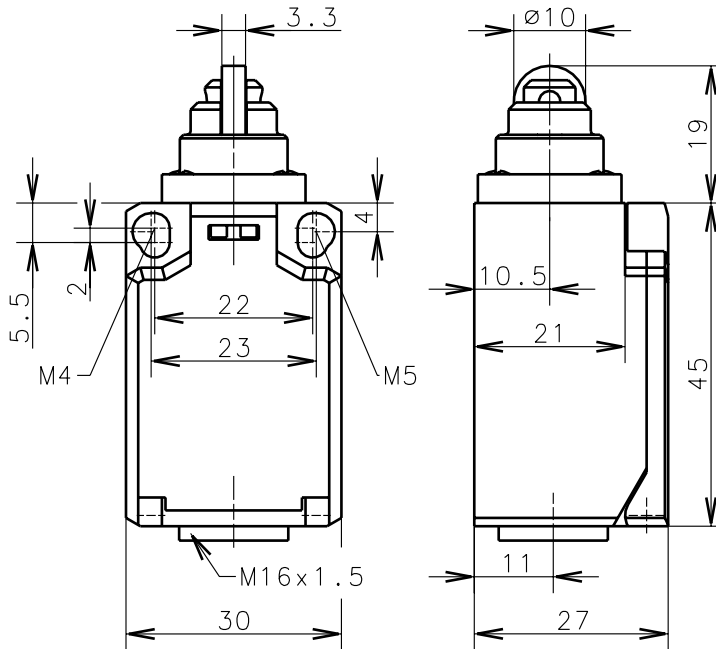
Technical data sheet

Ti2-A2Z Riw 90°

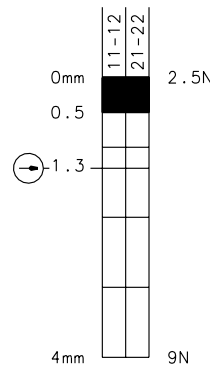
608.8817.051



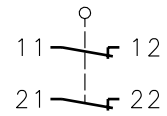
Positive opening operation according to DIN EN 60947-5-1 IEC 60947-5-1



Ein Aus



Switching diagram



Switching symbol

Tolerance: operating point $\pm 0.25\text{mm}$; actuating force $\pm 10\%$

Mechanical features

Enclosure: PBT, glass fibre reinforced
 Cover: PA6.6, black
 Actuator: Roller (Thermoplast)

Ambient air temperature: -30°C up to $+80^\circ\text{C}$
 Contact type: 2 NC-contacts (Zb)

Mechanical life: 3×10^6 switch operations
 Switch frequency: max. 100/min
 Mounting: 2xM4 or 2xM5 fixed positioning for safety applications
 Connection type: 4 screw connections (M3.5)
 Conductor cross-section: single core $0.5\text{-}1.5\text{mm}^2$ / litz wire with connector sleeve $0.5\text{-}1.5\text{mm}^2$
 Cable entry size: 1 x M16x1.5
 Weight: approx. 0,05kg

Electrical features

Rated insulation voltage: $U_i = 250\text{ V AC}$
 Conventional thermal current: $I_{the} = 10\text{ A}$
 Max. inrush current: according to IEC 60947-5-1
 Utilization categorie: AC 15, A300 240V/3A, 120V/6A / DC 13, Q300 250V/0.27A, 125V/0.55A
 Standards: according to EN 60947-1; EN 60947-5-1
 Protection class (IP-Code): IP65 according to EN 60529; DIN VDE 0470 T1
 CSA/UL: 10A 300V, A300
 Short circuit protection: Fuse 6A gL/gG, IEC/EN 60947-5-1, appendix K

Approach possibilities

Actuator not re-arrangeable.

Remarks

The moving parts should be oiled periodically.
 The rated protection class (IP-Code) is valid only at closed cover and when using an at least equivalent cable gland.

Copies are not retreated in case of alternations

Schutzvermerk nach DIN 34 beachten
Copyright reserved

07.05.03