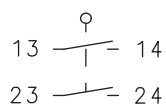


Metal bodied limit switch Series ENM2

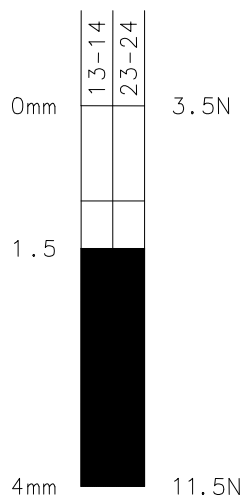
Description **ENM2-E2 O.BETG.**



Article number **6087800045**

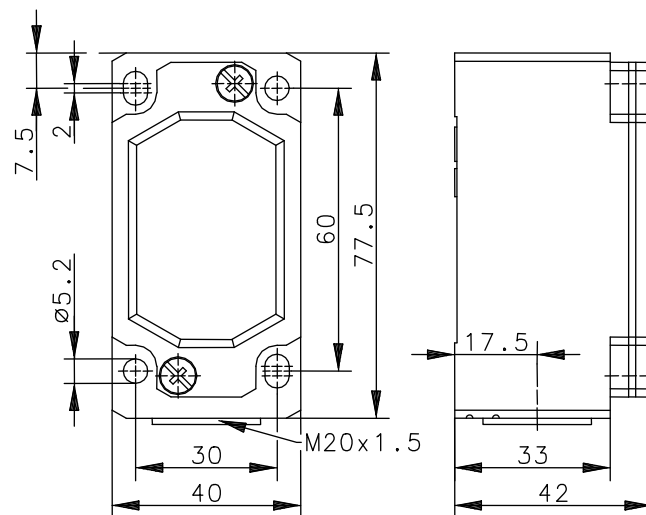
Operating symbol



Operating diagram



 On
  Off
 Tolerance:
 Operating Point $\pm 0,25$ mm;
 Operating force ± 10 %



Electrical Data

Rated insulation voltage	U_i	250 V AC
Conv. thermal current	I_{the}	10 A
Rated operational voltage	U_e	240 V
Utilization category		AC-15, U_e/I_e 240 V / 3 A
Short-circuit protective device		Fuse 6 A gG
Protection class		I

Mechanical data	
Enclosure	Die-cast aluminium
Cover	Sheet aluminium
Ambient air temperature	-30 °C ... +80 °C
Contact type	2 N.O.
Mechanical life	3 x 10 ⁶ operating cycles
Switching frequency	≤ 100 / min.
Assembly	4 x M5
Connection	4 screw connections (M3,5)
Conductor cross-sections	Solid: 0,5 ... 1,5 mm ² or Litz wire with ferrules: 0,5 ... 1,5 mm ²
Cable entrance	1 x M20 x 1,5
Weight	≈ 0,15 kg
Installation position	operator definable
Protection type	IP20 acc. to EN 60529

Standards	
	VDE 0660 T100, DIN EN 60947-1, IEC 60947-1
	VDE 0660 T200, DIN EN 60947-5-1, IEC 60947-5-1

EU Conformity	
	acc. to directive 2014/35/EU

Approvals	
	CCC