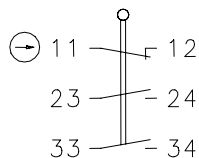


### Series ENM 2

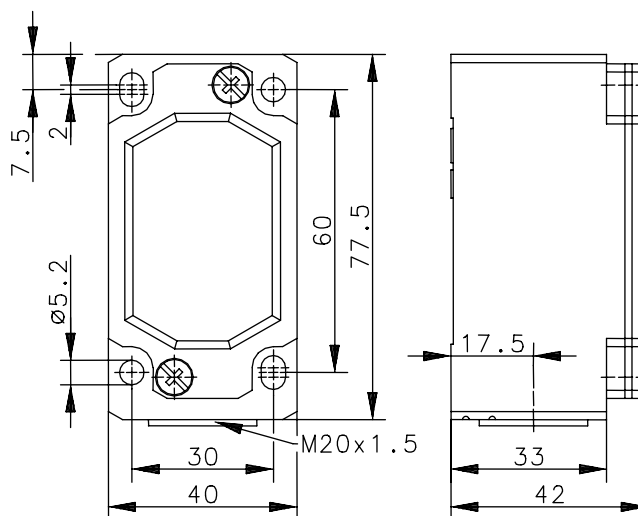
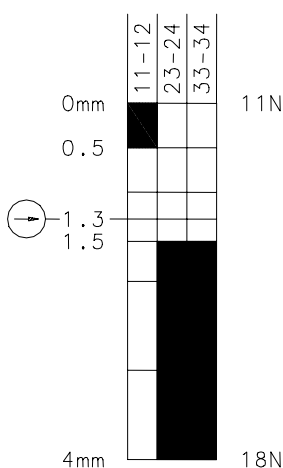
Description **ENM2-U16Z O.BETG.**



Article number **6087500039**

Operating symbol




Operating diagram



  Tolerances  
 ON OFF Operating point:  $\pm 0.25\text{mm}$ ;  
 Actuating force:  $\pm 10\%$

#### Electrical data

Rated insulation voltage	$U_i$	250 VAC
Conv. thermal current	$I_{the}$	5A
Rated operational voltage	$U_e$	240V
Utilization category		AC-15, $U_e/I_e$ 240V/1.5A
Direct opening action		acc. to IEC/EN 60947-5-1, Annex K; only when an appropriate actuating device is used
Short-circuit protective device		Fuse 6A gL/gG
Protection class		I

This document will not become the contractual basis; the details included herein do not constitute any descriptions of expected conditions, so that warranties/claims for defects on account of possible variations of the actual qualities from the qualities described herein are explicitly excluded. All rights reserved. Specifications subject to change without notice!

Date of issue: 26.04.2007 / Page 1 of 2  
 Document: 6087500039\_en / Last update: 1 / 2260-07

# Technical Data

## Metal Switches

<b>Mechanical data</b>	
Enclosure	Die-cast aluminium
Cover	Sheet aluminium
Ambient air temperature	-30°C ... +80°C
Contact type	1 NC, 2 NO (Zb)
Mechanical life	1 x 10 <sup>6</sup> operating cycles
Switching frequency	≤ 100 / min.
Assembly	4 x M5
Connection	6 screw terminals (M3.5)
Conductor cross-sections	Solid: 0.5 ... 1.5mm <sup>2</sup> Litz wire with ferrules: 0.5 ... 1.5mm <sup>2</sup>
Cable entrance	1 x M20x1.5
Weight	≈ 0.16 kg
Installation position	Operator definable
Protection type	IP00 acc. to IEC/EN 60529
<b>Standards</b>	
	VDE 0660 T100, DIN EN 60947-1, IEC 60947-1 VDE 0660 T200, DIN EN 60947-5-1, IEC 60947-5-1
<b>EU Conformity</b>	
	CE

This document will not become the contractual basis; the details included herein do not constitute any descriptions of expected conditions, so that warranties/claims for defects on account of possible variations of the actual qualities from the qualities described herein are explicitly excluded. All rights reserved. Specifications subject to change without notice!

Date of issue: 26.04.2007 / Page 2 of 2  
Document: 6087500039\_en / Last update: 1 / 2260-07