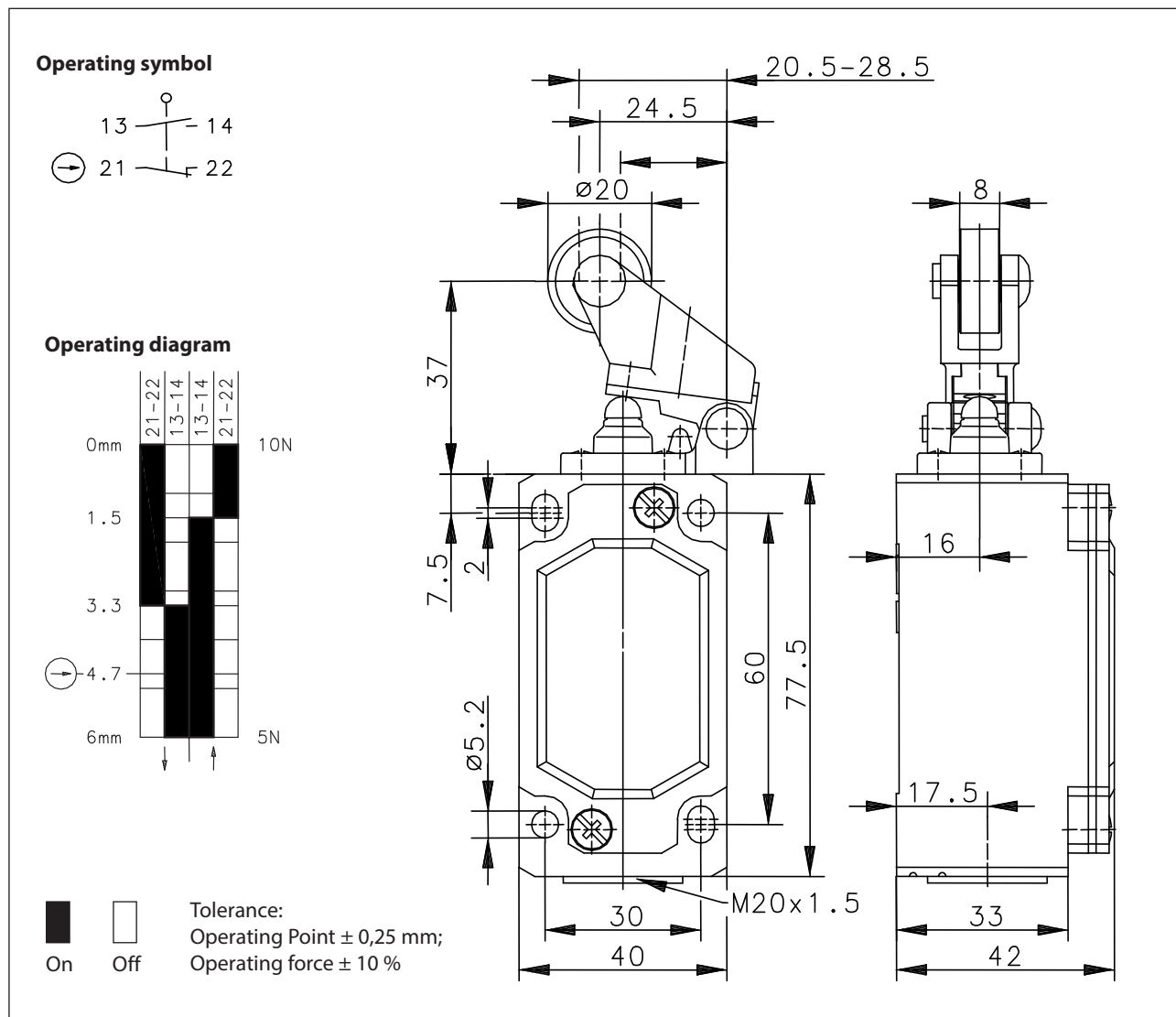


# Metal bodied limit switch

## Series ENM2

Description **ENM2-SU1Z DGHW RO20**

Article number **6087371008**



### Electrical Data

Rated insulation voltage	$U_i$	400 V AC
Conv. thermal current	$I_{the}$	10 A
Rated operational voltage	$U_e$	240 V
Utilization category		AC-15, $U_e/I_e$ 240 V / 3 A
Direct opening action	$\ominus$	acc. to IEC/EN 60947-5-1, annex K
Short-circuit protective device		Fuse 2 A gG
Protection class		I

<b>Mechanical data</b>	
Enclosure	Die-cast aluminium
Cover	Sheet aluminium
Actuator	Lever (Zn-die cast), roller (thermoplastic)
Ambient air temperature	-30 °C ... +80 °C
Contact type	1 N.C., 1 N.O. (Zb)
Mechanical life	10 x 10 <sup>6</sup> operating cycles
Switching frequency	≤ 100 / min.
Assembly	4 x M5
Connection	4 screw connections (M3,5)
Conductor cross-sections	Solid: 0,5 ... 1,5 mm <sup>2</sup> or Litz wire with ferrules: 0,5 ... 1,5 mm <sup>2</sup>
Cable entrance	1 x M20 x 1,5
Weight	≈ 0,22 kg
Installation position	operator definable
Protection type	IP65 acc. to EN 60529

<b>Actuation</b>
<p>The actuating device is preferably started from 1 side. By loosening the 4 screws the actuation assembly can be rotated in 90 degree increments such that 4 actuation directions are possible. The actuation assembly is to be again fastened to the housing using the 4 screws.</p>

<b>ID for safety engineering</b>	
B10d	20 x 10 <sup>6</sup> cycles

<b>Standards</b>	
	VDE 0660 T100, DIN EN 60947-1, IEC 60947-1
	VDE 0660 T200, DIN EN 60947-5-1, IEC 60947-5-1
	DIN EN ISO 13849-1

<b>EU Conformity</b>	
	acc. to directive 2014/35/EU

<b>Approvals</b>	
	cCSA <sub>US</sub> A300 (same polarity)
	CCC

<b>Notes</b>	
<p>The degree of protection specified (IP code) applies only to a properly closed cover and the use of an equivalent cable gland.</p>	