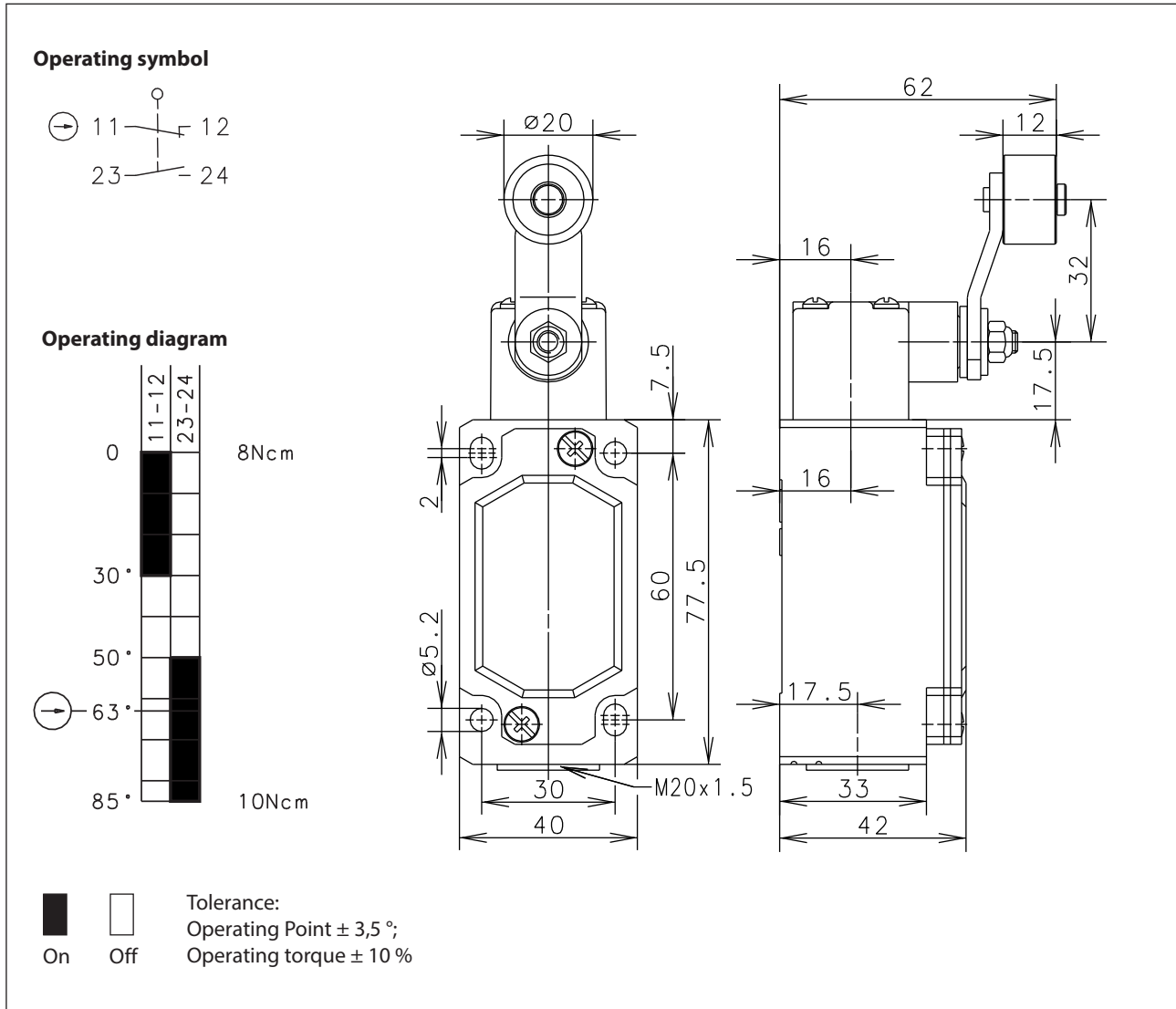


Metal bodied limit switch Series ENM2

Description **ENM2-U1Z AHZ**

Article number **6087135030**



Electrical Data

Rated insulation voltage	U_i	400 V AC
Conv. thermal current	I_{the}	10 A
Rated operational voltage	U_e	240 V
Utilization category		AC-15, U_e/I_e 240 V / 3 A
Direct opening action	\ominus	acc. to IEC/EN 60947-5-1, annex K
Short-circuit protective device		Fuse 10 A gG
Protection class		I

Mechanical data	
Enclosure	Die-cast aluminium
Cover	Sheet aluminium
Actuator	Turret head (GD-Zn), Lever (st), roller (thermoplastic)
Ambient air temperature	-30 °C ... +80 °C
Contact type	1 N.C., 1 N.O. (Zb)
Mechanical life	1 x 10 ⁶ operating cycles
Switching frequency	≤ 100 / min.
Assembly	4 x M5
Connection	4 screw connections (M3,5)
Conductor cross-sections	Solid: 0,5 ... 1,5 mm ² or Litz wire with ferrules: 0,5 ... 1,5 mm ²
Cable entrance	1 x M20 x 1,5
Weight	≈ 0,28 kg
Installation position	operator definable
Protection type	IP65 acc. to EN 60529

Actuation
The actuating device is preferably started from 2 sides. The actuating device can not be roated.

ID for safety engineering
B10d 2 x 10 ⁶ switching cycles

Standards
VDE 0660 T100, DIN EN 60947-1, IEC 60947-1
VDE 0660 T200, DIN EN 60947-5-1, IEC 60947-5-1
DIN EN ISO 13849-1

EU Conformity
acc. to directive 2006/95/EC

Approvals
cCSA _{US} A300 (same polarity)

Notes
The degree of protection specified (IP code) applies only to a properly closed cover and the use of an equivalent cable gland.
To guarantee forced disconnection in both directions, the wheel must have a permanent (fixed) solid connection when in operation e.g. guided in a C profile.