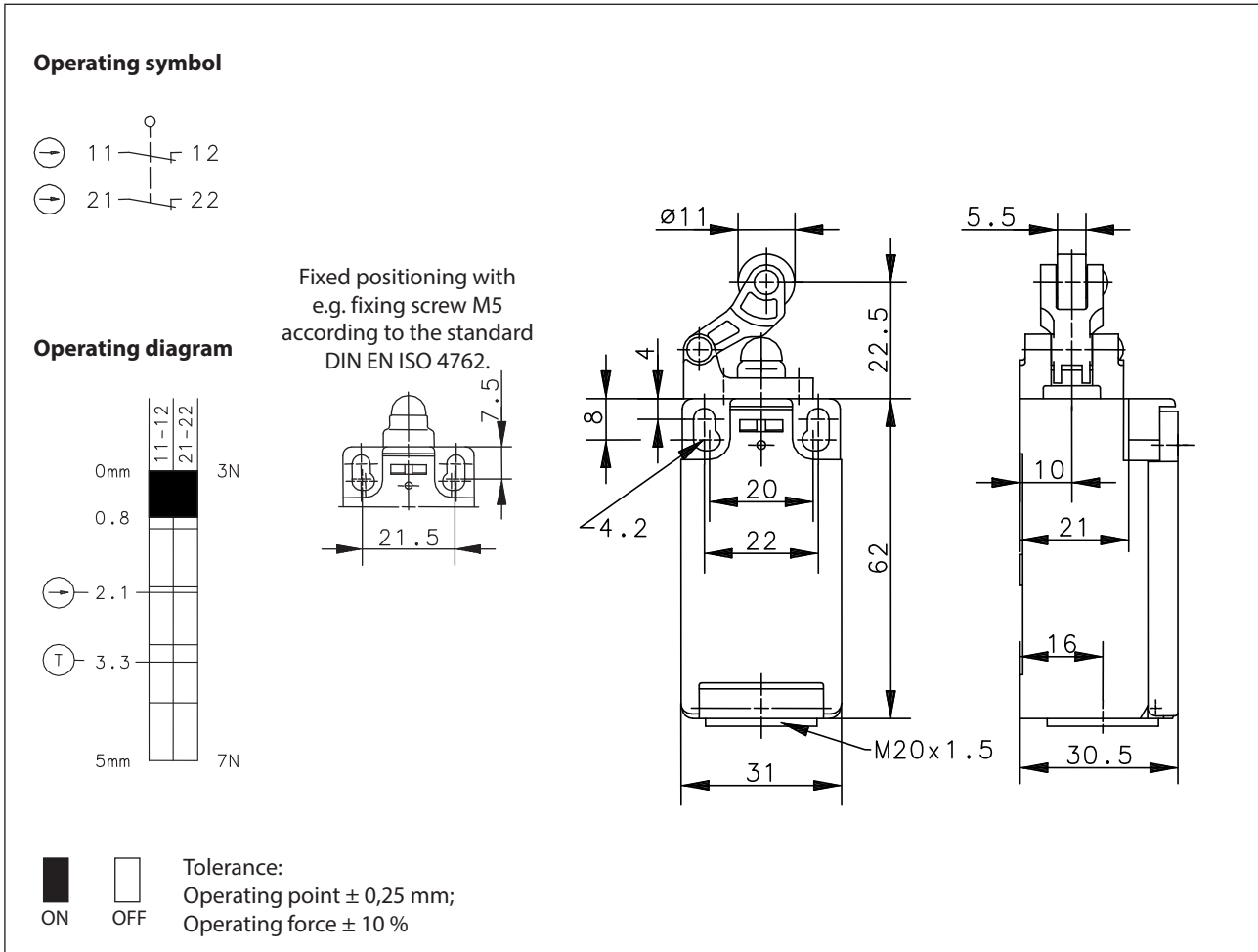


## Plastic bodied limit switch Series I88

Description **I88-A2Z HW 180GR RO11**

Article number **6086821144**



Electrical Data		
Rated insulation voltage	$U_i$	250 V AC
Conv. thermal current	$I_{the}$	5 A AC / 2,5 A DC
Rated operational voltage	$U_e$	240 V
Utilization category		AC-15, $U_e/I_e$ 240 V / 1,5 A DC-13, $U_e/I_e$ 125 V / 0,55 A 250 V / 0,27 A
Direct opening action		acc. to IEC/EN 60947-5-1, annex K
Gap between NC-contacts		DIN EN 81
Short-circuit protective device		Fuse 6 A gG
Protection class		II, totally insulated

Mechanical data	
Enclosure	Thermoplastic, glass fibre reinforced (UL 94-V0)
Cover	Thermoplastic, glass fibre reinforced (UL 94-V0)
Actuator	Lever with roller (thermoplastic)
Ambient air temperature	-30 °C ... +80 °C
Contact type	2 NC (Zb)
Mechanical life	1 x 10 <sup>6</sup> operating cycles
Switching frequency	≤ 100 / min.
Assembly	2 x M4
Connection	4 screw connections (M3,5)
Conductor cross-sections	Solid: 0,5 ... 1,5 mm <sup>2</sup> or Litz wire with ferrules: 0,5 ... 1,5 mm <sup>2</sup>
Cable entrance	1 x M20 x 1,5
Weight	≈ 0,07 kg
Installation position	operator definable
Protection type	IP65 acc. to IEC/EN 60529

ID for safety engineering	
B10d	2 x 10 <sup>6</sup> cycles

Actuation
<p>The actuating device is preferably started from 2 sides. By loosening the 4 screws the actuation assembly can be rotated in 90 degree increments such that 4 actuation directions are possible. The actuation assembly is to be again fastened to the housing using the 4 screws.</p>

Standards
VDE 0660 T100, DIN EN 60947-1, IEC 60947-1
VDE 0660 T200, DIN EN 60947-5-1, IEC 60947-5-1
DIN EN ISO 13849-1

EU Conformity
acc. to directive 2006/95/EC

Approvals
cCSA <sub>US</sub> B300 (same polarity), Q300

Notes
The degree of protection (IP code) specified applies solely to a property closed cover and the use of an equivalent cable gland with adequate cable.

**EG-Konformitätserklärung / EC-Declaration of Conformity / Déclaration de conformité - CE**

Diese Konformitätserklärung entspricht der europäischen Norm DIN EN ISO/IEC 17050-1: Konformitätsbewertung – Konformitätserklärung von Anbietern – Teil 1: Allgemeine Anforderungen. Die Grundlage der Kriterien sind internationale Dokumente, insbesondere ISO/IEC-Leitfaden 22, 1982, Informations on manufacturer's declaration of conformity with standards or other technical specifications. Die deutsche Sprachfassung ist die Originalkonformitätserklärung. Bei anderen Sprachen handelt es sich um die Übersetzung der Originalkonformitätserklärung.

This Declaration of Conformity is suitable to the European Standard EN ISO/IEC 17050-1: Conformity assessment – Supplier's declaration of conformity – Part 1: General requirements. The basis for the criteria has been found in international documentation, particularly in: ISO/IEC Guide 22, 1982, Informations on manufacturer's declaration of conformity with standards or other technical specifications. The original Declaration of Conformity is the German language version. Other languages are a translation of the original Declaration of Conformity.

Cette déclaration de conformité correspond au Norme Européenne EN ISO/IEC 17050-1: Évaluation de la conformité – Déclaration de conformité du fournisseur – Partie 1: Exigences générales. La base des directives sont des documents internationaux répondant à ISO/IEC-Guide 22, 1982, Informations on manufacturer's declaration of conformity with standards or other technical specifications. La version allemande est la langue d'origine de la déclaration de conformité. Les autres langues ne sont qu'une traduction de la déclaration de conformité en langue allemande.

Wir / We / Nous

**BERNSTEIN AG**

(Name des Anbieters) / (Supplier's name) / (Nom du fournisseur)

**Hans-Bernstein-Straße 1****D-32457 Porta Westfalica**

(Anschrift) / (Address) / (Adresse)

**erklären in alleiniger Verantwortung, dass das (die) Produkt(e):**

declare under our sole responsibility that the product(s):

déclarons sous notre seule responsabilité que le(s) produit(s):

**188-A2Z Hw 180GR Ro11 Artikelnummer 608.6821.144**

(Bezeichnung, Typ oder Modell, Los-, Chargen- oder Serien-Nr., möglichst Herkunft und Stückzahl)  
(Name, type or model, batch or serial number, possibly sources and number of items)  
(Nom, type ou modèle, n° de lot, d'échantillon ou de série, éventuellement les sources et le nombre d'exemplaires)

**mit folgenden Europäischen Richtlinien übereinstimmt (übereinstimmen):**

is (are) in conformity with the following directives:

est (sont) conforme(s) aux directives européennes:

**Niederspannungsrichtlinie-Nr.: 2006/95/EG****Dies wird nachgewiesen durch die Einhaltung folgender Norm(en):**

This is documented by the accordance with the following standard(s):

Notre justification est l'observation de la (des) norme(s) suivante(s):

**DIN EN 60947-5-1 : 2010-04****DIN EN 60947-1 : 2011-10****DIN EN ISO 13849-1 : 2008-12****Jahreszahl der CE Kennzeichenvergabe:**

Year of CE marking:

Année du marquage CE : 15

**Porta Westfalica, 15.12.2015**

(Ort und Datum der Ausstellung)

(Place and date of issue)

(Date et lieu)



Gisela Bernstein

**Vorstandsvorsitzende**

(Name, Position, Unterschrift)

(Name, status, signature)

(Nom, fonction, signature)