

# Technical Data

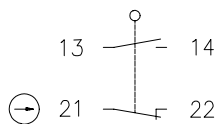
## Plastic bodied limit switch

### Series BI2

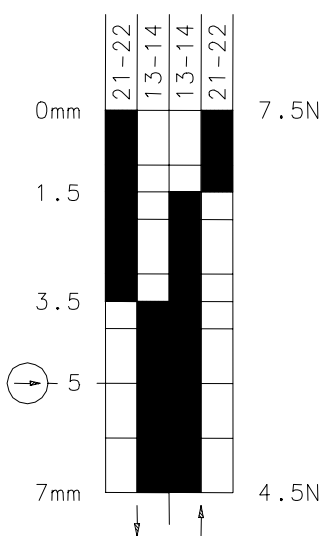
Description **BI2-SU1Z DGHW RO22**

Article number **6085171110**

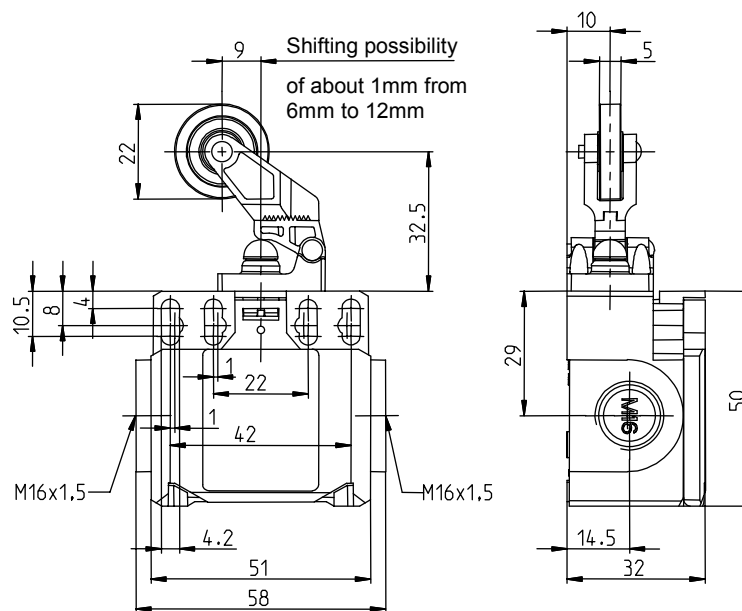
#### Operating symbol



#### Operating diagram

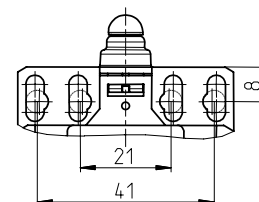


On  
 Off  
 Tolerance:  
 Operating point  $\pm 0,25\text{mm}$ ;  
 Actuating force  $\pm 10\%$



Fixed positioning for safety applications

Mounting screw M5 according to DIN 912 or DIN EN ISO 4762



#### Electrical data

Rated insulation voltage	$U_i$	400V AC
Conv. thermal current	$I_{the}$	10A
Rated operational voltage	$U_e$	240V AC
Utilization category		AC-15, $U_e/I_e$ 240V/3A
Direct opening action	$\ominus$	according to IEC/EN 60947-5-1, Annex K
Short-circuit protective device		Fuse 2A gL/gG
Protection class		II, totally insulated

This document will not become the contractual basis; the details included herein do not constitute any descriptions of expected conditions, so that warranties/claims for defects on account of possible variations of the actual qualities from the qualities described herein are explicitly excluded. All rights reserved. Specifications subject to change without notice!

Date of issue: 28.11.2005 / Page 1 of 2  
 Document : 6085171110\_en / Last update : 1 / 3003-05

# Technical Data

## Plastic bodied limit switch

### Mechanical data

Enclosure	Thermoplastic, glass fibre reinforced
Cover	Thermoplastic, glass fibre reinforced
Actuator	Lever with roller (thermoplastic)
Ambient air temperature	-30°C ... +80°C
Contact type	1 NC, 1 NO (Zb)
Mechanical life	10 x 10 <sup>6</sup> switching cycles
Switching frequency	≤ 100/min
Assembly	2 x M4 / 2 x M5 / 2 x M3 front mounting
Connection	4 screw connections (M3,5)
Conductor cross-sections	Solid: 0.5 ... 1.5mm <sup>2</sup> Litz wire with ferrules: 0.5 ... 1.5mm <sup>2</sup>
Cable entrance	2 x M16x1,5
Weight	≈ 0,09 kg
Installation position	Operator definable
Protection type	IP65 acc. to EN 60529; DIN VDE 0470 T1

### Actuation

The actuating device is preferably started from 1 side.

By loosening the 4 screws the actuation assembly can be rotated in 90 degree increments such that 4 actuation directions are possible.

The actuation assembly is to be again fastened to the housing using the 4 screws.

### Standards

VDE 0660 T100, DIN EN 60947-1, IEC 60947-1  
VDE 0660 T200, DIN EN 60947-5-1, IEC 60947-5-1

### EU Conformity

CE

### Approvals

cCSA<sub>US</sub> A300, Q300

### Notes

The degree of protection (IP code) specified applies solely to a property closed cover and the use of an equivalent cable gland with adequate cable.