

# Technical Data

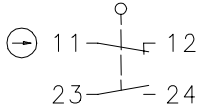
## Plastic bodied limit switch

### Series BI

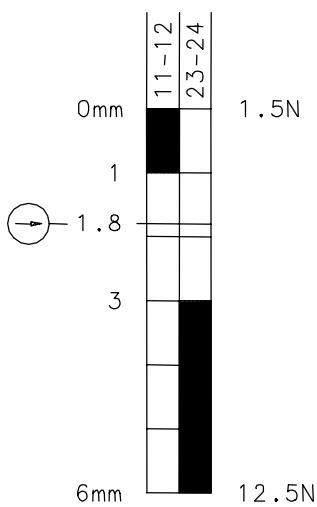
Description **BI-U1Z W**


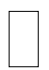
Article number **6085103001**

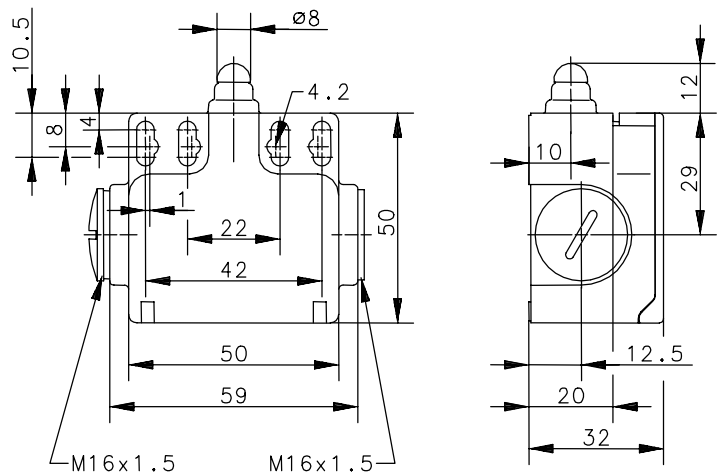
Operating symbol



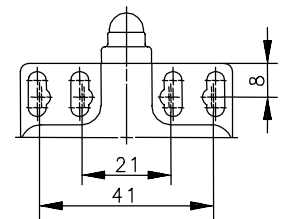
Operating diagram



 On   
  Off   
 Tolerance:  
 Operating point  $\pm 0,25\text{mm}$ ;  
 Operating torque  $\pm 10\%$



Fixed positioning for  
 safety applications  
 Mounting screw  
 according to DIN 912 M5



### Electrical data

Rated insulation voltage	$U_i$	400 V AC
Conv. thermal current	$I_{the}$	10A
Rated operational voltage	$U_e$	240V
Utilization category		AC-15, $U_e/I_e$ 240V/3A
Positive opening NC contact	$\ominus$	IEC/EN 60947-5-1
Short-circuit protective device		Fuse 10A gL/gG IEC/EN 60947-5-1, Annex K
Protection class		II, totally insulated

This document will not become the contractual basis; the details included herein do not constitute any descriptions of expected conditions, so that warranties/claims for defects on account of possible variations of the actual qualities from the qualities described herein are explicitly excluded. All rights reserved. Specifications subject to change without notice!

Date of issue: 22.09.2004 / Page 1 of 2  
 Document : 6085103001\_en / Last update : 2 / 2574-04

# Technical Data

## Plastic bodied limit switch

### Mechanical data

Enclosure	Thermoplastic, glass fibre reinforced
Cover	Thermoplastic, glass fibre reinforced
Actuator	Plunger (thermoplastic)
Ambient air temperature	-30°C ... +80°C
Contact type	1 NC, 1 NO (Zb)
Mechanical life	10 x 10 <sup>6</sup> switching cycles
Switching frequency	≤ 100/min
Assembly	2 x M4
Connection	4 screw connections (M3,5)
Conductor cross-sections	Solid: 0.5 ... 1.5mm <sup>2</sup> Litz wire with ferrules: 0.5 ... 1.5mm <sup>2</sup>
Cable entrance	2 x M16x1,5
Weight	≈ 0,08kg
Installation position	Operator definable
Protection type	IP65 acc. to EN 60529; DIN VDE 0470 T1

### Actuation

The push bolt actuator is mainly intended to be actuated along it's axis.  
Side actuation will considerably reduce switch life.

<b>Standards</b>	VDE 0660 T100, DIN EN 60947-1, IEC 60947-1 VDE 0660 T200, DIN EN 60947-5-1, IEC 60947-5-1
------------------	--

<b>EU Conformity</b>	<b>CE</b>
----------------------	-----------

### Approvals

CSA	A300 (same polarity)
UL	A300 (same polarity)

### Notes

The degree of protection (IP code) specified applies solely to a property closed cover and the use of an equivalent cable gland with adequate cable.