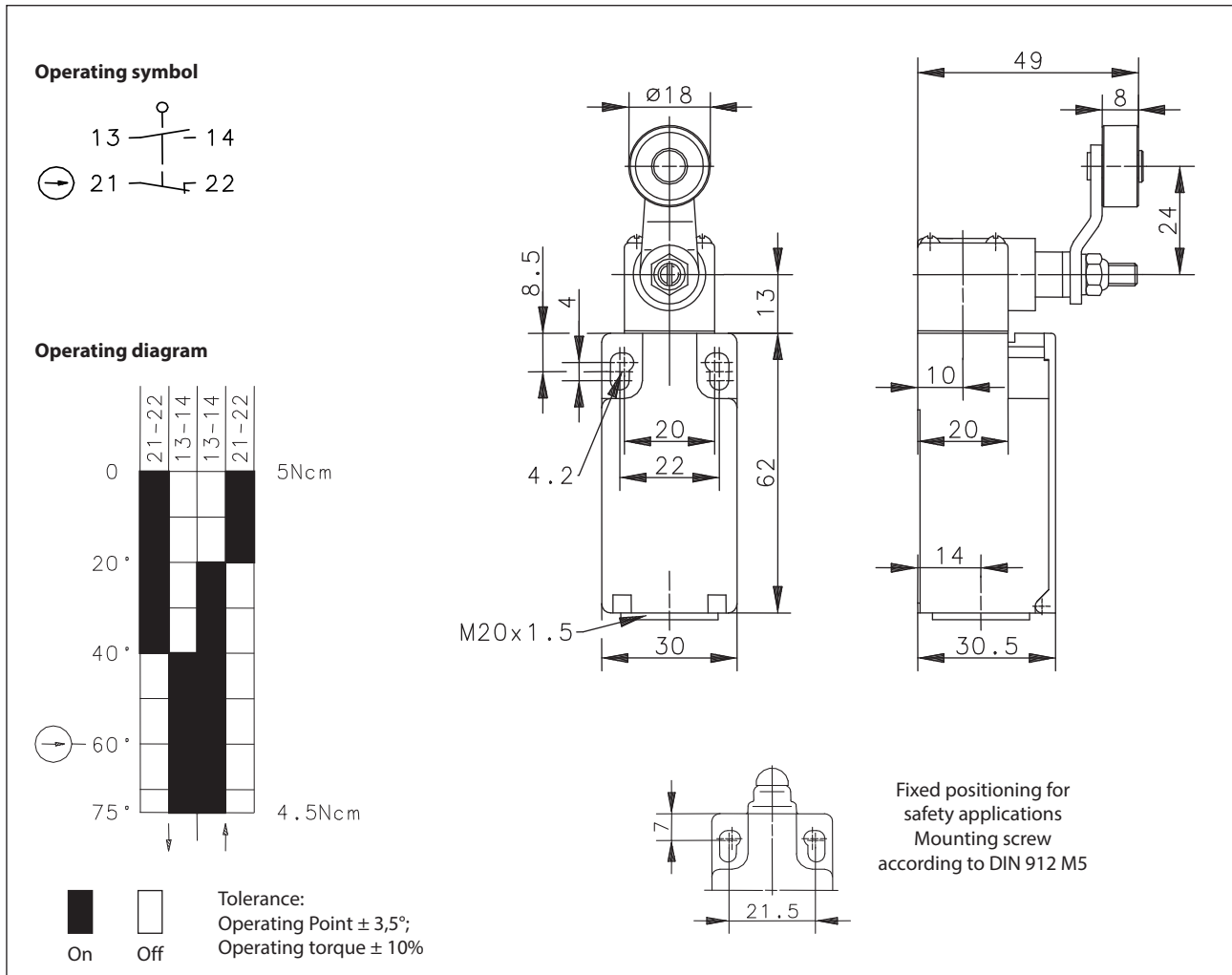


Plastic bodied limit switch Series I

Description **I-SU1Z AH**

Article number **6083185091**



| Electrical Data | |
|---------------------------------|---|
| Max. voltage | 400 V AC |
| Max. enduring current | I_{th} 10 A |
| Rated operational voltage | U_e 240 V |
| Utilization category | AC-15, U_e/I_e 240 V / 3 A |
| Direct opening action | \ominus acc. to IEC/EN 60947-5-1, annex K |
| Short-circuit protective device | Fuse 2 A gG |
| Protection class | II, totally insulated |

| Mechanical data | |
|--------------------------|---|
| Enclosure | Thermoplastic, glass fibre reinforced (UL 94-V0) |
| Cover | Thermoplastic, glass fibre reinforced (UL 94-V0) |
| Actuator | Lever arm housing, roller (thermoplastic) |
| Ambient air temperature | -30° C ... +80° C |
| Contact type | 1 NC, 1 NO (Zb) |
| Mechanical life | 10 x 10 ⁶ operating cycles |
| Switching frequency | ≤ 100 / min. |
| Assembly | 2x M4 |
| Connection | 4 screw connections (M3,5) |
| Conductor cross-sections | Solid: 0,5 ... 1,5 mm ² or Litz wire with ferrules: 0,5 ... 1,5 mm ² |
| Cable entrance | 1 x M20 x 1,5 |
| Weight | ≈ 0,097 kg |
| Installation position | operator definable |
| Protection type | IP65 acc. to IEC/EN 60529 |

| ID for safety engineering | |
|---------------------------|---------------------------------------|
| B10d | 20 x 10 ⁶ switching cycles |

| Actuation |
|--|
| <p>The actuating device is preferably started from 2 sides. By loosening the 4 screws the actuation assembly can be rotated in 90 degree increments such that 8 actuation directions are possible. The actuation assembly is to be again fastened to the housing using the 4 screws.</p> |

| Standards |
|--|
| VDE 0660 T100, DIN EN 60947-1, IEC 60947-1 |
| VDE 0660 T200, DIN EN 60947-5-1, IEC 60947-5-1 |
| DIN EN ISO 13849-1 |

| EU Conformity |
|------------------------------|
| acc. to directive 2006/95/EC |

| Approvals |
|---|
| _c CSA _{US} A300 (same polarity) |

| Notes |
|--|
| The degree of protection (IP code) specified applies solely to a property closed cover and the use of an equivalent cable gland with adequate cable. |