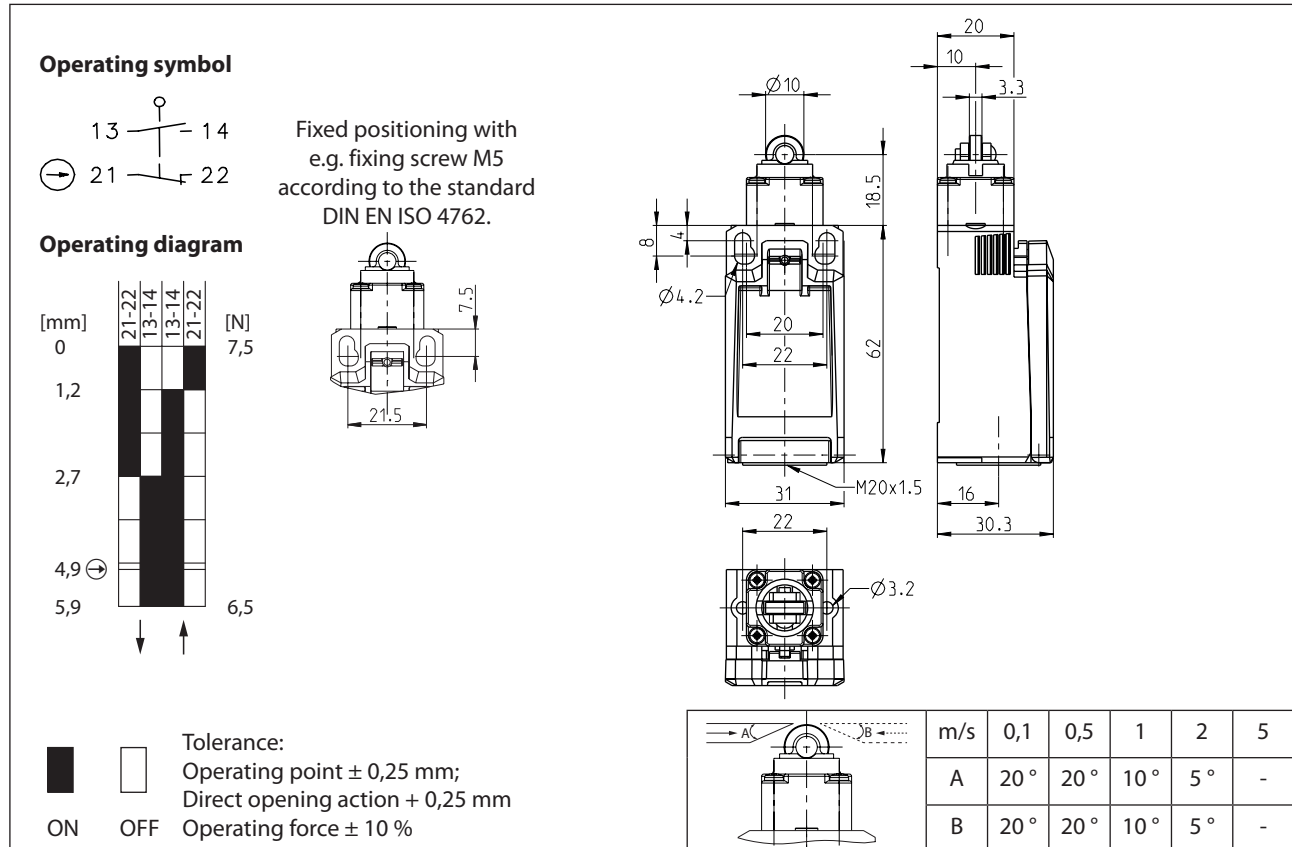


# Plastic bodied limit switch Series IN62

Description **IN62-SU1Z RK**

Article number **6083000381**



| Electrical Data                         |           |   |
|---|-----------|---|
| Rated insulation voltage                | $U_i$     | 400 V   |
| Rated impulse withstand voltage         | $U_{imp}$ | 4 kV  |
| Rated operational voltage               | $U_e$     | 240 V AC / 24 V DC  |
| Rated supply frequency AC               |           | 50 / 60 Hz  |
| Overvoltage category                    |           | II acc. EN 60947-1 annex H table H1   |
| Conv. thermal current                   | $I_{the}$ | 5 A   |
| Minimum current                         |           | 1 mA  |
| Utilization category                    |           | AC 15, $U_e/I_e$ 240 V / 3 A<br>DC 13, $U_e/I_e$ 24 V / 1,5 A<br>(B300 table A.1) |
| Direct opening action                   | ⊕         | acc. IEC/EN 60947-5-1, annex K; direct opening force: 18 N                        |
| Short-circuit protective device         |           | Fuse 4 A gG   |
| Rated conditional short-circuit current |           | 400 A   |
| Max. contact resistance                 |           | 25 mOhm (unused)  |

| <b>Mechanical data</b>             |   |
|------------------------------------|---|
| Enclosure                          | Thermoplastic, glass fibre reinforced (UL 94-V0)  |
| Cover                              | Thermoplastic, glass fibre reinforced (UL 94-V0)  |
| Actuator                           | Roller (Thermoplastic)  |
| Actuating force                    | $F_B$ 10 N $\leq F_B \leq$ 30 N   |
| Operating temperature              | -30 °C ... +75 °C   |
| Storage temperature                | -40 °C ... +80 °C   |
| Protection type                    | IP67 acc. EN 60529  |
| Pollution degree (built-in switch) | 3   |
| Contact material                   | silver  |
| Device Class (built-in switch)     | Category E (MC3+CC2+SC1) acc. EN 60947-1 annex Q  |
| Contact type                       | 1 N.C. (Form Zb), 1 N.O.  |
| Isolating distance                 | 4 mm (2x2 mm)   |
| Operating rate                     | $V$ 0,06 m/min $\leq V \leq$ 30 m/min   |
| Bounce duration                    | ms < 3 ms   |
| Switchover time                    | ms < 8 ms   |
| Switching frequency                | $\leq$ 60 / min.  |
| Mechanical life                    | 10 x 10 <sup>6</sup> operating cycles   |
| Mission time                       | $\leq$ 20 years   |
| Connection                         | 4 screw connections (M3)  |
| Conductor cross-sections           | Solid or Litz wire with ferrules 0,34 mm <sup>2</sup> - 1,5 mm <sup>2</sup> ; AWG 22-16 |
| Cable entrance                     | 1 x M20 x1,5  |
| Weight                             | $\approx$ 0,06 kg   |
| Installation position              | operator definable  |

| <b>Actuation</b>   |
|--|
| <p>The actuating device is preferably started from 2 sides.<br/>                     By loosening the 4 screws the actuation assembly can be rotated in 90 degree increments such that 4 actuation directions are possible.<br/>                     The actuation assembly is to be again fastened to the housing using the 4 screws.</p> |

| <b>ID for safety engineering</b> |                             |
|----------------------------------|-----------------------------|
| B10d N.C.                        | 20 x 10 <sup>6</sup> cycles |
| B10d N.O.                        | 1 x 10 <sup>6</sup> cycles  |

| <b>Standards</b>         |
|--------------------------|
| DIN EN 60947-5-1         |
| UL 508 / CSA C22.2 No.14 |
| DIN EN ISO 13849-1       |
| EN81-20                  |
| EN81-50                  |

| <b>EU Conformity</b>                                 |
|--|
| acc. to directive 2014/35/EU (Low-Voltage-Directive) |

| <b>Approvals</b> |
|------------------|
| CCC              |

**Notes**

The degree of protection (IP code) specified applies solely to a property closed cover and the use of an equivalent cable gland with adequate cable.

VPE with 50 pcs., one BMA per VPE