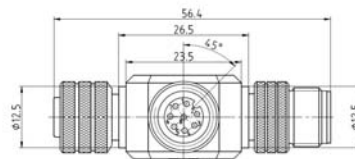
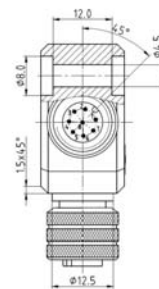
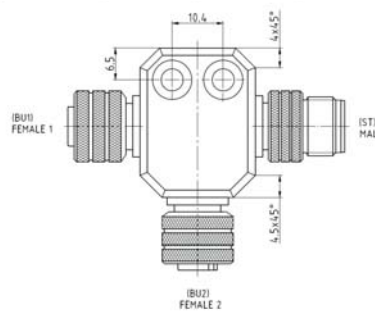
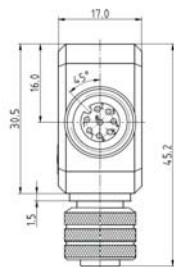
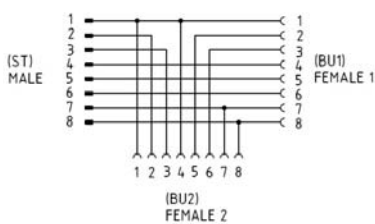


Safety switch Series CSMS

Description **T-ADAPTER MS**

Article number **6075989037**

Wiring diagram



Electrical Data

| | |
|----------------|-------------------|
| Voltage rating | 30 V AC / 36 V DC |
| Current rating | 2 A |

Mechanical Data

| | |
|---------------------|-------------------------|
| Encapsulation | PUR, grey like RAL 7040 |
| Gasket | VITON |
| Bolting | CuZn/Ni plated |
| Contacts | CuZn gold plated |
| Connector face | PUR, black |
| Ambient temperature | -25 °C ... +90 °C |
| Type of protection | IP67 |
| Pollution degree | 3 |