

Technical Data

Safety switch

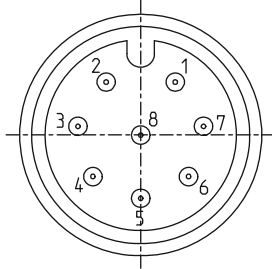
Series CSMS

Type designation **CSMS-M-RRS-U-KA**

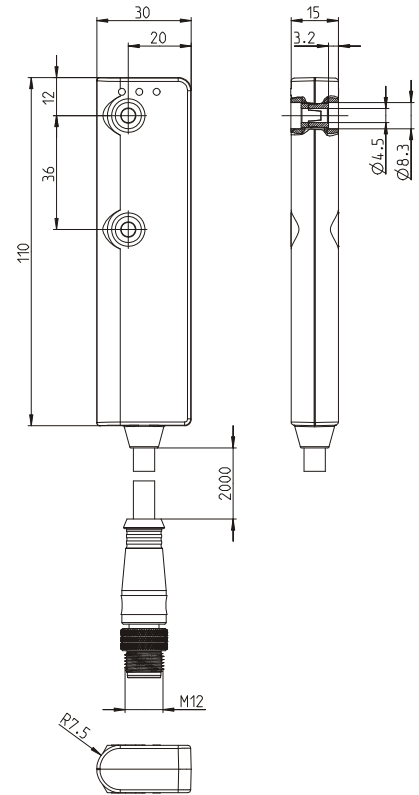
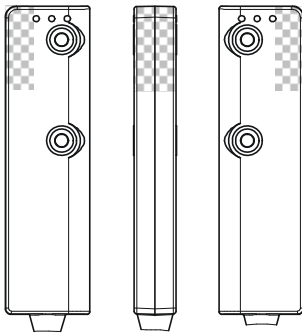
Article number **6075985025**

Connection

- Pin 1 – DI - white
- Pin 2 – I1 - brown
- Pin 3 – I2 / Q3 - green
- Pin 4 – DO - yellow
- Pin 5 – Q1 - grey
- Pin 6 – Q2 - pink
- Pin 7 – + - blue
- Pin 8 – - - red

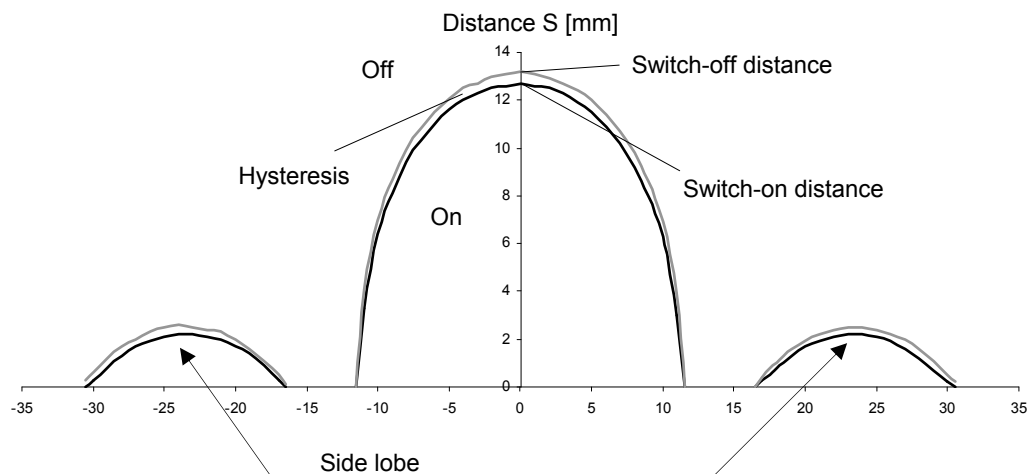


Active surfaces



Sensing distance (Only in conjunction with actuator 6075980023 (CSMS-S).)

		min.	typ.	max.
Rated sensing distance	S_n		13 mm	
Assured sensing distance – On	S_{ao}	10 mm		
Hysteresis	H		0,5 mm	
Assured sensing distance – Off	S_{ar}			19 mm



Metal can influence the sensing distance.

This document will not become the contractual basis; the details included herein do not constitute any descriptions of expected conditions, so that warranties/claims for defects on account of possible variations of the actual qualities from the qualities described herein are explicitly excluded. All rights reserved. Specifications subject to change without notice!

Date of issue: 19.06.2012 / Page 1 of 3
 Document : 6075985025_en.doc / Last update : 2 / 0221-12

Technical Data

Safety switch



Electrical Data		
Rated operating voltage	U_e	24 V, Reverse polarity protection
Voltage level		according to Typ 3 EN 61131-2
Rated insulation voltage	U_i	75 V DC
Rated impulse withstand voltage	U_{imp}	500 V
Rated conditional short circuit current		100 A
No-load current	I_0	≤ 55 mA
Transponder frequency		6,78 MHz
Repeatability		0,1 x S (within the limits S_{min} and S_{max})
Operating frequency		≤ 1 Hz
Switch-off	t_a	5 ms + 260 μ s x following CSMS
Time delay start button	t_v	33 ms +33 ms x following CSMS
Automatic start on delay	t_v	2 s +33 ms x following CSMS
Electromagnetic interference		according to EN IEC 60947-5-2 and EN 61326-3-1
Inputs I1,I2, Di (digital inputs according to EN61131-2)		
Voltage	U_{Hmax}	30 V
	U_{Hmin}	11 V
	U_{Lmin}	-3 V
	U_{Lmax}	5 V
Outputs Q1,Q2		
Switching element function		pnp NO
Rated operating current	I_e	250 mA
Minimum operating current	I_m	1 mA DC
Leakage current	I_r	0,5 mA DC
Switching elements		Sustained short-circuit and overload protection
Voltage drop	U_d	≤ 1 V
Type of short circuit protection		Clocking
Utilization category		DC-13
Output Do		
Switching element function		nnp NO
Rated operating current	I_e	2 mA
Minimum operating current	I_m	1 mA DC
Leakage current	I_r	0,5 mA DC
Switching elements		Sustained short-circuit and overload protection
Voltage drop	U_d	≤ 3 V
Type of short circuit protection		thermal, current limited
Utilization category		DC-12
Mechanical Data		
Enclosure		Macromelt, red / PA 6, black
Mounting		2 holes $\varnothing 4,5$ (for M4 screws)
Indication		3 LEDs (for diagnosis)
Shock and Swing		acc. to EN IEC 60947-5-2
Ambient temperature		-25°C ... +70°C
Storage temperature		-25°C ... +70°C
Maximum relative humidity		90 % @ 40 °C without condensation
Altitude		≤ 2000 m NHN
Connection		Cable with plug connector M12 male
Mass		185g
Type of protection		IP67
Protection class acc. to EN IEC 61558		III
Pollution degree		3 (metallic pollution can cause impairments of the operating distances.)

This document will not become the contractual basis; the details included herein do not constitute any descriptions of expected conditions, so that warranties/claims for defects on account of possible variations of the actual qualities from the qualities described herein are explicitly excluded. All rights reserved. Specifications subject to change without notice!

Date of issue: 19.06.2012 / Page 2 of 3
Document : 6075985025_en.doc / Last update : 2 / 0221-12

Technical Data

Safety switch

Safety data (according to EN ISO 13849-1)	
Up to PL	e
Category	4
Service life	20 years
MTTFd	High
SIL	3 (according to EN 62061:2005)

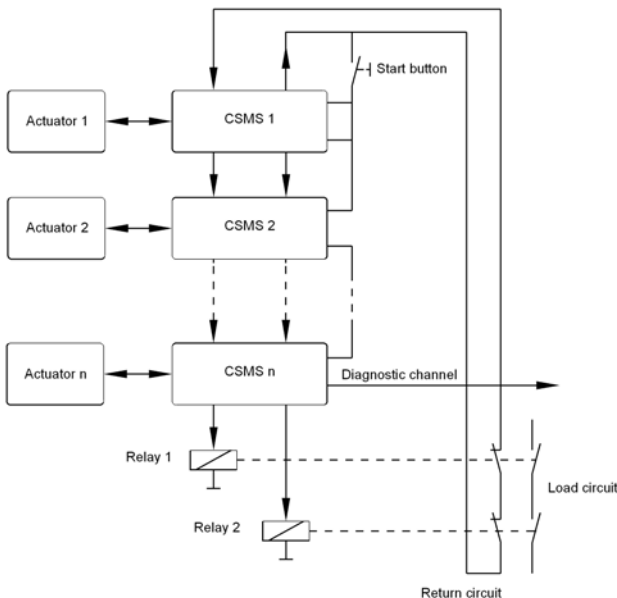
Standards	
	VDE 0660 T100, DIN EN 60947-1, IEC 60947-1
	VDE 0660 T200, DIN EN 60947-5-1, IEC 60947-5-1
	EN 50295, EN ISO 13849-1 (IEC/EN 61508, EN 60947-5-3)
	EN 300330-2

EU-Conformity	
	according to Directive 2006/42/EG
	according to Directive 2004/108/EG
	according to Directive 1999/5/EG

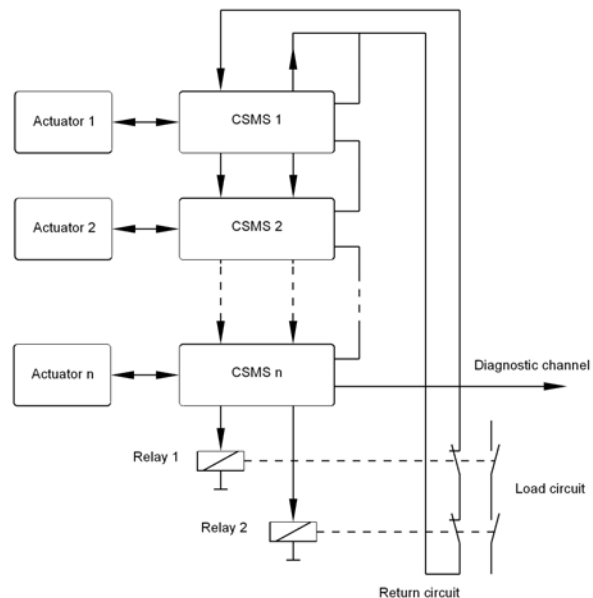
Approvals	
	TÜV Nord (being prepared)

Notes
 The specified protection classification (IP code) applies only when an appropriate plug connector is used.

Intended use
 Application with feedback loop with or without start button (for Stand Alone Applications)



Application with start button



Application without start button (automatic start)

This document will not become the contractual basis; the details included herein do not constitute any descriptions of expected conditions, so that warranties/claims for defects on account of possible variations of the actual qualities from the qualities described herein are explicitly excluded. All rights reserved. Specifications subject to change without notice!