

Safety switch

Series SRF

Type designation **SRF-2/1/1-A2-H+SRF-0**

Article number **6075688201**

Set consists of

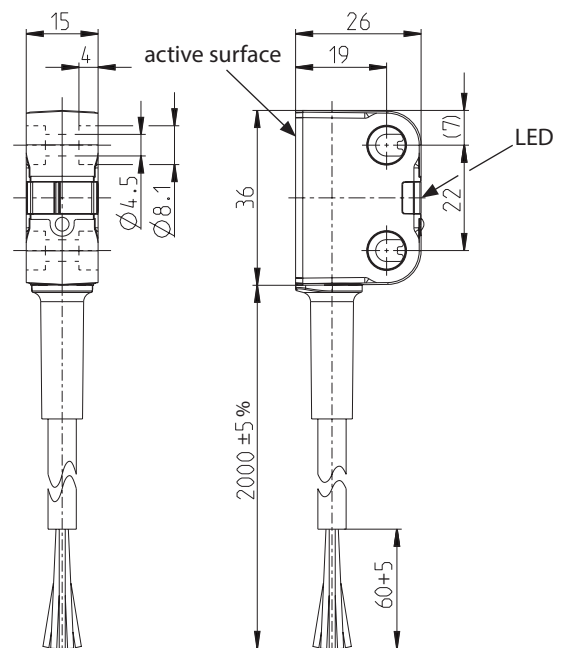
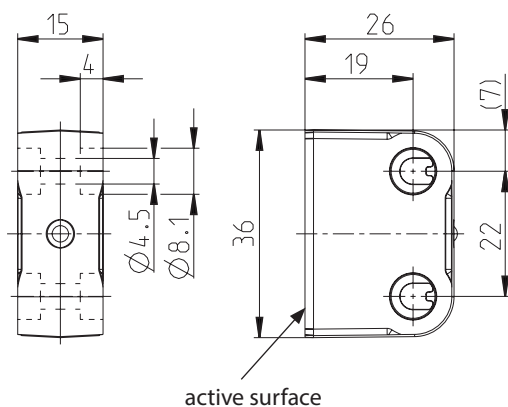
Article number	Type designation	Designation
6075685162	SRF-2/1/1-A2-H	SRF, cable version
6075687078	SRF-0	Actuator

Note

SRF and actuator are already teached to each other!

6075687078

6075685162



Sensing distance				
		min.	typ.	max.
Rated sensing distance	S_n		13 mm	
Assured sensing distance – On	S_{ao}	10 mm		
Hysteresis	H		2 mm	
Assured sensing distance – Off	S_{ar}			25 mm

Connection


BN – +
 WH – Q1
 BU – -
 BK – Q2
 GY – PNP/OUT

Electrical Data			
		6075685162	6075687078
Rated operating voltage	U_e	24 V DC, Reverse polarity protection, +25 %, - 20 % (PELV/SELV power supply unit)	-
Rated insulation voltage	U_i	75 V DC	-
Rated impulse withstand voltage	U_{imp}	500 V	-
Rated conditional short circuit current		100 A	-
No-load current	I_0	≤ 50 mA	-
Transponder frequency		125 kHz	125 kHz
Repeatability	R	0,1 x S_n	0,1 x S_n
operating frequency		≤ 1 Hz	-
Switch-off	t_a	max. 100 ms	-
Time delay	t_v	max. 2 s	-
Electromagnetic interference		according to EN IEC 60947-5-3 and EN 61326-3-1	-
Emergency operation function		2 minutes	-
Outputs Q1,Q2			
Voltage level		according to Typ 3 EN 61131-2	-
Switching element function		PNP NO (OSSD)	-
Rated operating current	I_e	100 mA	-
Leakage current	I_r	≤ 1 mA DC	-
Switching elements		Sustained short-circuit and overload protection	-
Voltage drop	U_d	≤ 3 V	-
Type of short circuit protection		thermal / digital (clocking)	-
Utilization category		DC-13	-
Output PNP/OUT			
Function		PNP, Off with closed safety guard	-
Rated operating current	I_e	10 mA	-
Switching elements		Sustained short-circuit and overload protection	-
Voltage drop	U_d	≤ 3 V	-
Utilization category		current limited	-

Mechanical Data		
	6075685162	6075687078
Enclosure	PA66 + PA6, red	PA66 + PA6, red
Tension relief	TPE, black	-
Mounting	2 holes Ø 4,5 (for M4 screws)	2 holes Ø 4,5 (for M4 screws)
Indication	1 x LED red / green operating state 1 x LED yellow Actuating state	-
Shock and Swing	acc. to EN IEC 60947-5-2	acc. to EN IEC 60947-5-2
Ambient temperature	-25°C ... +70°C	-25°C ... +70°C
Storage temperature	-25°C ... +70°C	-25°C ... +70°C
Maximum relative humidity	93 % at 40 °C without condensation	93 % @ 40 °C without condensation
Altitude	≤ 4000 m NHN	≤ 4000 m NHN
Connection	Cable 5 x 0,34 mm ² x 2 m ±5 %, PUR - Outer jacket	-
Type of protection	IP69	IP69
Protection class acc. to EN IEC 61558	III	-

Safety data		
Up to PL	e	acc. to EN ISO 13849-1
Category	4	
PFH _D	6x10 ⁻⁹ 1/h	acc. to DIN EN 62061
SIL CL	3	
Service life	20 years	

Standards	
	EN 60947-1, EN 60947-5-2, EN 61326-3-1
	EN ISO 13849-1, EN 62061, EN 60947-5-3, EN ISO 13849-2
	EN 60204-1, ETSI EN 301489-1, ETSI EN 300330-1

EU-Conformity	
	according to directive 2006/42/EG (Safety-of-Machinery-Directive)
	according to directive 2011/65/EU (RoHS II)
	according to directive 2014/53/EU (RED)
	according to directive 2012/19/EU (EU-WEEE II) 

Approvals	
	cCSAus (class 2 Power source)
	FCC ID: 2ABA6SRF
	IC: 11535A-SRF