

Technical Data

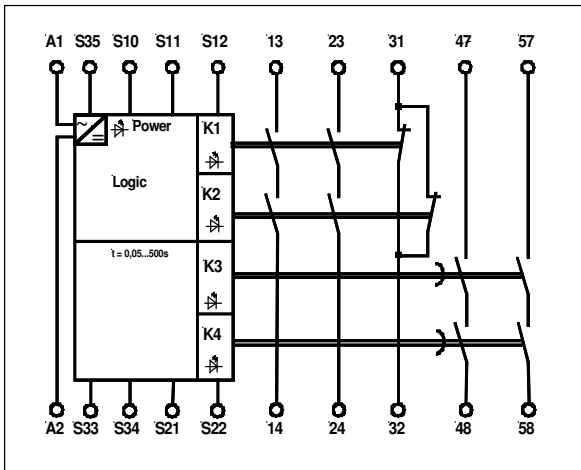
Safety Relay Combination

Series SCR

Description **SCR 4-W35-4.6-DTau**

Article number **6075121014**

Assembly and function
(function circuit diagram)



A1, A2

Connection supply voltage

S33, S34, S35

Activation contacts (START)

S11, S12, S21, S22

Input contacts

13-14, 23-24

Non-delayed safety outputs

31-32

Normally closed contact

47-48, 57-58

Time off-delayed safety outputs

Time delay adjustable from 0,05s to 600s

Electrical data

Supply voltage	U_e	24V AC/DC
Voltage range		0,85 ... 1,1 U_e
Frequency		50 ... 60 Hz
DC supply current		270mA
AC supply current		610mA

Conductor data

conductor connection	2 x 1,5 mm ² solid wire 2 x 1,5 mm ² strand with wire end ferrule DIN VDE 46228
Max. conductor length (input circuit)	2 x 150m (single channel), 4 x 150m (dual channel)

This document will not become the contractual basis; the details included herein do not constitute any descriptions of expected conditions, so that warranties/claims for defects on account of possible variations of the actual qualities from the qualities described herein are explicitly excluded. All rights reserved. Specifications subject to change without notice!

Date of issue: 15.09.2006 / Page 1 of 2
Document: 6075121014_en / Status: 2 / 2658-06

Technical Data

Safety Relay Combination

Contact data	
Contact configuration	2 N.O. / 1 N.C. / 2 N.O. time delayed
Contact type	Relay forcibly guided
Contact material	AgSnO ₂ or comparable
Switching voltage	250V AC, 24V DC
Switching current safety contacts	N.O. 6A AC/DC 1 contact
Sum of current of all contacts	16A AC/ DC
Switching current closed contact	N.C. 2A AC, 2A DC
Max. switching capacity	1500 VA (ohms load)
Mechanical life	10 ⁷ operations
Electrical life	10 ⁵ operations (DC 24V/2A)
Creepage and clearance distances (DIN VDE 0160)	at pollution grade 2
Contact security (short circuit protection)	Over voltage category 3 / 250 V NO contact: 10A brisk; NC contact: 4A medium time lag
Voltage on S11 and S21	24V DC
Retrigger time after time delay	≥ 0,5s, max. 0,6
Fall back time	< 30 ms
Start up delay time	< 150 ms
Start up delay time after reset	< 3s
Mechanical data	
Enclosure material	Polyamide PA 6.6
Dimensions (W x H x D)	35 x 114,5 x 99
Mounting	Click-fastening for DIN-Rail
Environmental data	
Operating temperature range	-25 °C ... +55 °C
Humidity	85%
Degree of protection, terminals	IP 20 DIN VDE 0470 part 1
Degree of protection, enclosure	IP 40 DIN VDE 0470 part 1
Shock resistance N.O./N.C. contacts	2g, 33Hz
CE - Conformity	CE
Approvals	
	TÜV
	UL
	C-UL

This document will not become the contractual basis; the details included herein do not constitute any descriptions of expected conditions, so that warranties/claims for defects on account of possible variations of the actual qualities from the qualities described herein are explicitly excluded. All rights reserved. Specifications subject to change without notice!