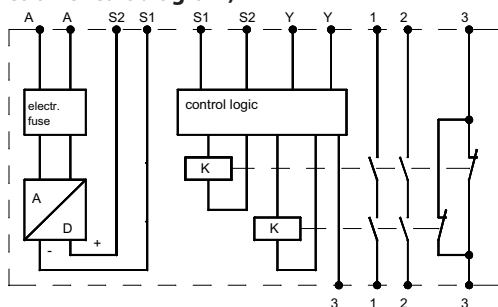


## Safety Relay Combination Series SCR

Description **SCR 4-W22-2.6-D2H**

Article number **6075111077**

### Assembly and function (function circuit diagram)



13-14, 23-24  
safety outputs (N.O.)

31-32

Auxiliary outputs for signaling (N.C.)



### Electrical Data

Supply voltage	$U_e$	24 V AC/DC
Voltage range		AC 0,85 ... 1,1 $U_B$ , DC 0,9 ... 1,1 $U_B$
Frequency		50 ... 60 Hz
Power consumption appr.		2 VA

### Conductor data

conductor connection	2 x 1,5 mm <sup>2</sup> solid wire 2 x 1,0 mm <sup>2</sup> strand with wire end ferrule DIN VDE 46228
Max. conductor length (input circuit)	4 x 150 m
Conductor cross-section	4 x 1,5 mm <sup>2</sup>
Capacity	150 nF/km
Resistance	$\Sigma < 8 \text{ Ohm}$

Contact data	
Contact configuration	2 N.O. contacts / 1 N.C. contact
Contact type	Relay forcibly guided contacts
Contact material	AgSnO <sub>2</sub> flash gold or comparable material
Switching voltage	24 V AC / DC
Switching current	6 A AC, 6 A DC
Utilization category (DIN EN 60947-5-1)	AC 15: 24 V / 5 A DC 13: 24 V / 6 A
Max. switching capacity	1500 VA (ohms load)
Mechanical life	10 <sup>7</sup> operations
Electrical life	10 <sup>5</sup> operations
Creepage and clearance distances (DIN VDE 0110)	at pollution grade 2
	Basis insulation: voltage category 3 Protective separation: voltage category 2
Contact protection	6,3 A fast acting or 4 A slow acting DIN VDE 0660 Teil 200
Delay on deenergisation K1	< 30 ms
Coincidence time for the two hand control buttons	0,5 s

PLC-output	
Voltage	>18 V DC
External load	Rext ≥ 2,4 kOhm

Mechanical data	
Enclosure material	Polyamide PA 6.6
Dimensions ( W x H x D ) in mm	22,5 x 114,5 x 99
Mounting	Click-fastening for DIN-Rail

Environmental data	
Operating temperature range	-25 °C ... +55 °C (UL +40 °C)
Air humidity	Swap climate, 95 %, 0 ... +50 °C
Degree of protection, terminals	IP 20 DIN VDE 0470 part 1
Degree of protection, enclosure	IP 40 DIN VDE 0470 part 1
Shock resistance N.O./N.C. contacts	5 g, 33 Hz VDE 0160

EU Conformity	
	acc. to directive 2006/42/EG (Safety-of-Machinery-Directive)
	acc. to directive 2014/30/EU (EMC-Directive)

Approvals	
	TÜV type tested

Certifications	
Tested in accordance with	EN ISO 13849-1
Achieved level/category	Performance Level e , Kat.4
MTTFd [years]	36,45 "high"
DC	99 % "high"
CCF	achieved