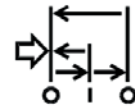
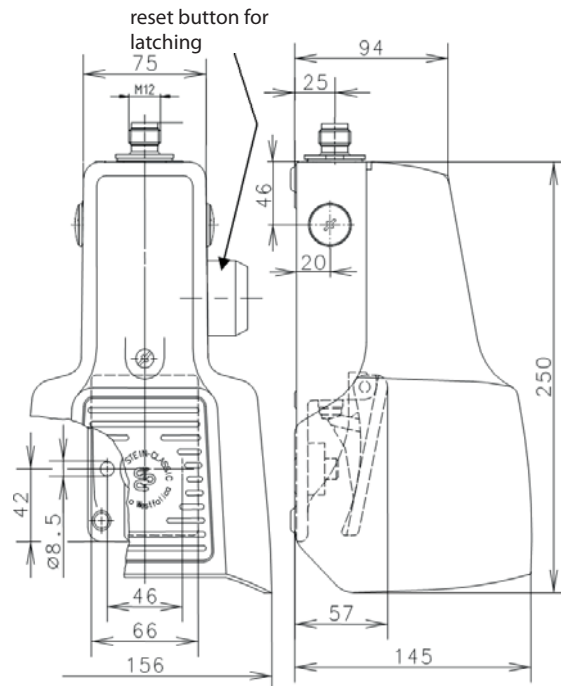


# Foot-switch

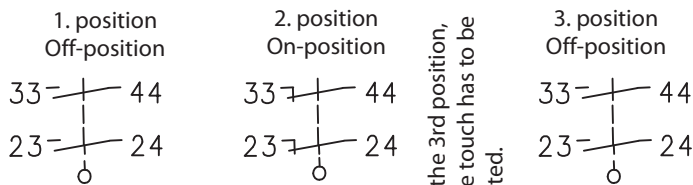
## Series F1 ASI UN

Description **F1-ASI-ZSDR UN**

Article number **6073700086**

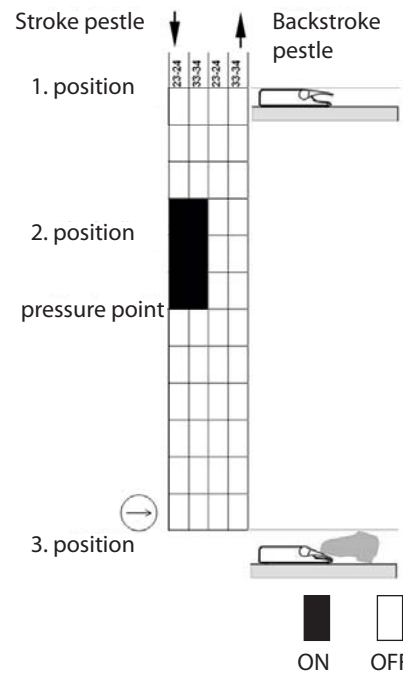


### Switching symbol (Three-Step-Safety Switch)



To reach the 3rd position,  
the tactile touch has to be  
surmounted.

### Operating diagramme



Electrical data	
Operating voltage	U 18 ... 31,6 V; via AS-interface, reverse-polarity proof
Operating current	I < 30 mA
AS-i Specifications	Profile S-0.B IO-Code: 0x0 ID-Code: 0xB ID-Code1: 0xF ID-Code2: 0xE
AS-i Inputs	Contact 1: Date bits D0/D1 = static 00 or dynamic code transmission Contact 2: Date bits D2/D3 = static 00 or dynamic code transmission
Parameterbits	no function
AS-i Address	preset address: 0

Mechanical data	
Enclosure	AL, die-cast
Protective guard (Accident protection cover UN)	AL, die-cast
Actuator	Foot lever (PA)
Ambient air temperature	Operating temperature range: -10 °C to +50 °C Storage temperature range: -25 °C to +70 °C
Contact type	2 NO. (Zb) (Enabling contacts)
Operating force	1. position 10 N 2. position 25 N
Pressure point	≈ 200 N
Mechanical life	
Sequence of the switching position or:	1 – 2 – 1 10 x 10 <sup>6</sup> operating cycles 1 – 2 – 3 – 1 1 x 10 <sup>6</sup> operating cycles
Switching frequency	max. 30/min
Assembly	2 x M8
Connection	Plug connector M12 male
Plug connection	1: AS-i + 2: free 3: AS-i - 4: free
Weight	≈ 1,6 kg
Protection type	IP67 in accordance with IEC/EN 60529

Regulations	
	VDE 0660 T100, DIN EN 60947-1, IEC 60947-1
	VDE 0660 T200, DIN EN 60947-5-1, IEC 60947-5-1
	EN 50295 , EN ISO 13849-1 , EN 62061

EU Conformity	
	acc. to directive 2014/30/EU (EMC-Directive)

ID for safety engineering	
Electronics	MTTFd = high PFH 2,49 x 10 <sup>-10</sup> 1/h
Mechanics	B10d: 1 – 2 – 1 = 20 x 10 <sup>6</sup> cycles 1 – 2 – 3 – 1 = 2 x 10 <sup>6</sup> cycles

<b>Approvals</b>
cUL <sub>US</sub>

<b>Function</b>
<p>Normally open contacts: 23 – 24, 33 – 44</p> <ul style="list-style-type: none"> <li>• Position 1: OFF position of the operating contacts (the pedal is not actuated)</li> <li>• Position 2: ON position of the operating contacts (the Tpedal is actuated to as far as the pressure pointT)</li> <li>• Position 3: OFF position of the operating contacts (the three-stage enable switch is locked)</li> </ul> <p>If the three-stage enable switch is actuated in position 2, it returns to position 1 when it is released. The threestage enable switch changes from position 2 to position 3, if it gets further pressed under after the resistance of the pressure point.</p> <p>The switch is locked in position 3 and can only be returned in position 1 by pressing the release button.</p> <p>The actuation of the operating contacts is made by a positive opening.</p> <p>The operating contacts are opened in the return stroke.</p>

<b>Notes</b>
<p>The specified protection classification (IP code) applies only when the cover is closed and the appropriate cable is used, in accordance with the clamping range of the above mentioned cable gland.</p>