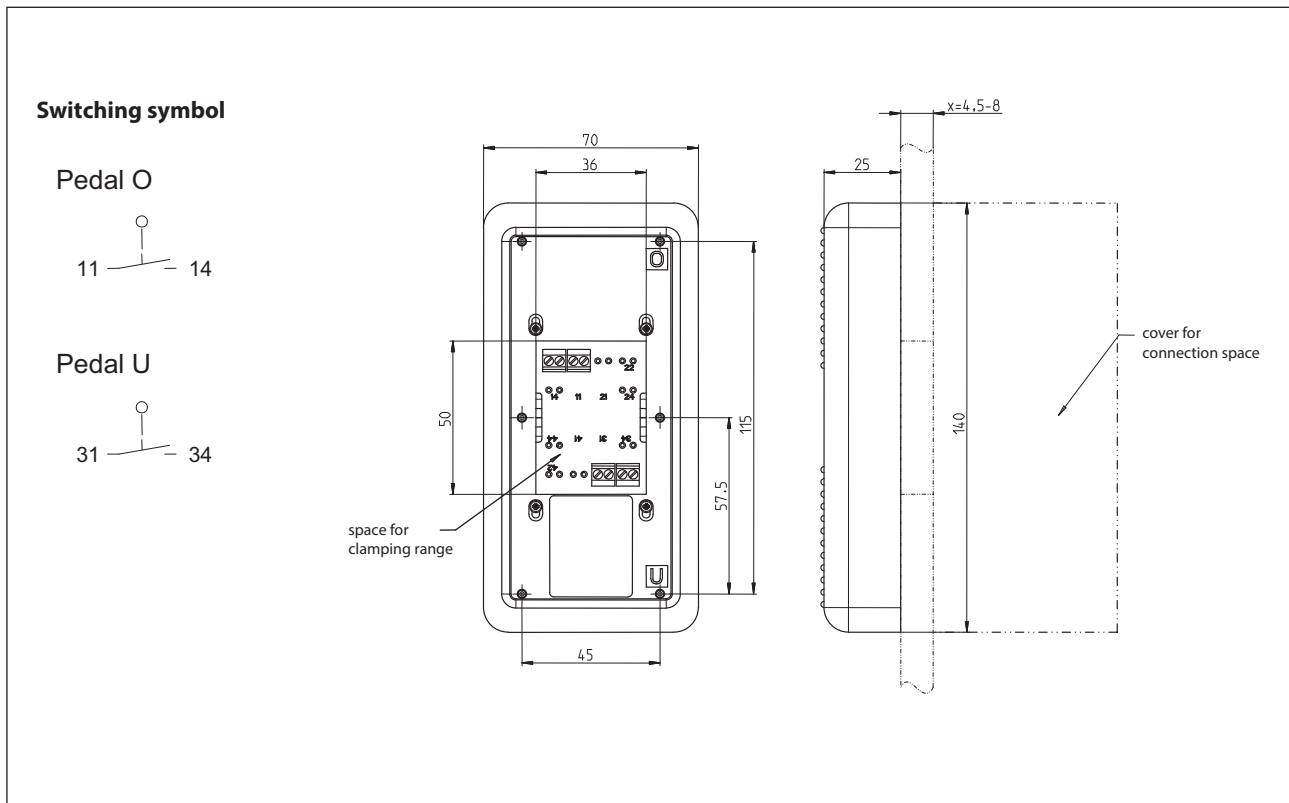


Foot-switch

Foot-operated terminal

Description **FBM-DS1**

Article number **6067040006**



Electrical data – micro switch		
Rated insulation voltage	U_i	250 V (III/2)
Conv. thermal current	I_{the}	2 A
Utilization category		AC-15, U_e / I_e 250 V AC / 1 A DC-13, U_e / I_e 30 V DC / 1,5 A
Short-circuit protective device		Fuse 2 A gG
Protection class		II, totally insulated

Mechanical data	
Enclosure	PA6 with silicone rubber cover, black
Ambient air temperature	-10°C ... +80°C
Contact type	2 N.O.
Operating force	20 N ± 25 %
Switching frequency	≤ 50/min
Installation position	6 screws (self-tapping in plastic), with sealing disc; tightening torque 80 Ncm
Number of contacts	2 x double clamp
Conductor cross-sections	Litz wire without ferrules 1 mm ² Litz wire with ferrules, without plastic bush 0,25 – 0,5 mm ²
Weight	≈ 0,23 kg
Protection type	Delivery status IP00 acc. to EN 60529

Standards	
	VDE 0660 T100, DIN EN 60947-1, IEC 60947-1
	VDE 0660 T200, DIN EN 60947-5-1, IEC 60947-5-1

EU Conformity	
	acc. to Directive 2004/108/EC

Notes	
<p>The Protection Class IPX8 can be achieved when the sealing cover is mounted on a plane surface with the sealing discs and the stipulated tightening torque.</p> <p>Cover for connection space (min. 70 mm x 140 mm) in accordant protection type.</p>	