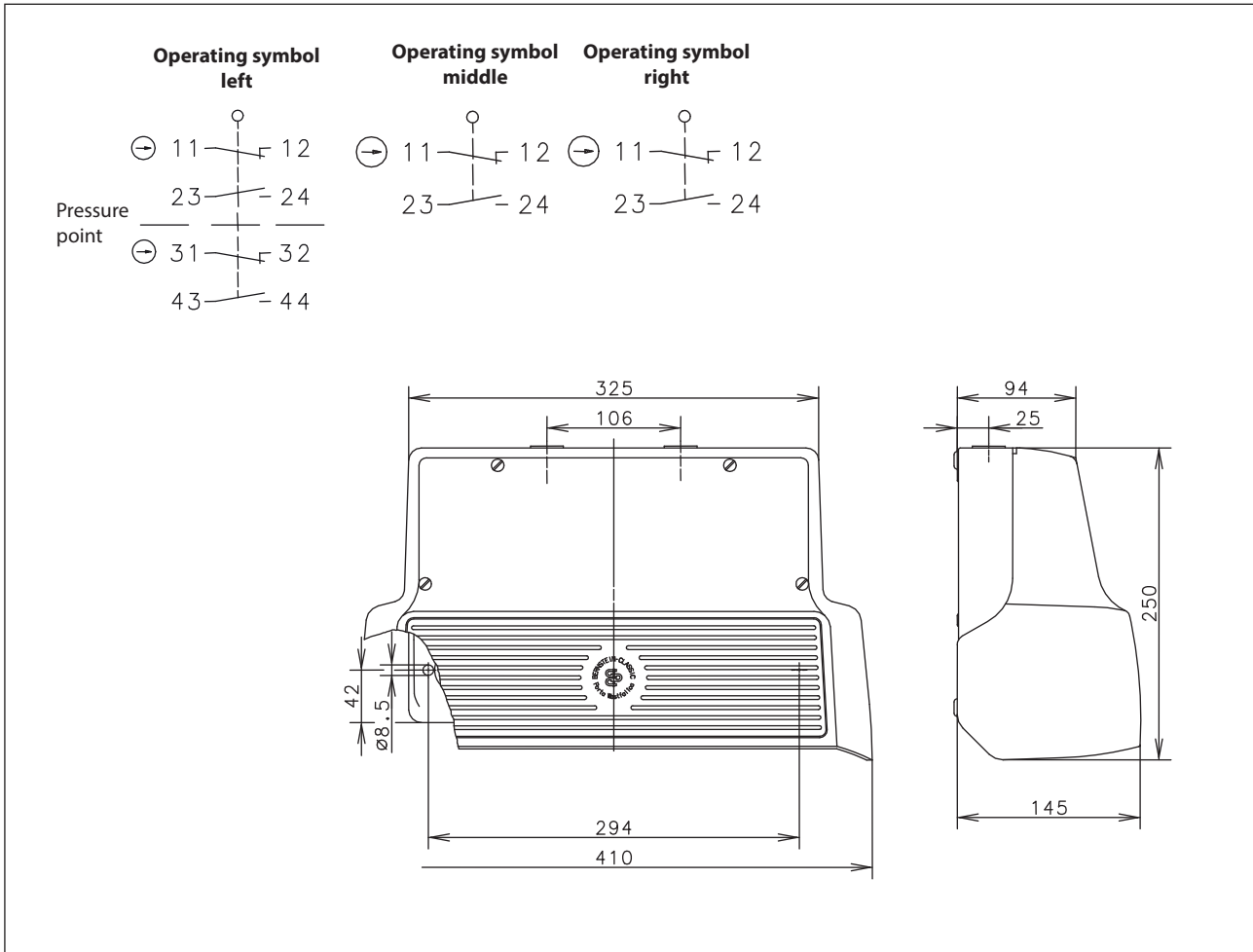


## Foot-switch Series F3 UN

Description **F3-U2ZD/U1Z/U1Z UN**

Article number **6063711571**



| Electrical Data                 |           |  |
|---------------------------------|-----------|--|
| Rated insulation voltage        | $U_i$     | 400 V AC                                       |
| Conv. thermal current           | $I_{the}$ | 10 A   |
| Rated operational voltage       | $U_e$     | 240 V  |
| Utilization category            |           | AC-15, $U_e$ 240 V / $I_e$ 3 A                 |
| Direct opening action           | $\ominus$ | acc. to IEC/EN 60947-5-1, annex K (pedal stop) |
| Short-circuit protective device |           | Fuse 10 A gG                                   |
| Protection class                |           | I  |

| Mechanical data                                    |  |
|--|--|
| Enclosure  | AL   |
| Protective guard<br>(Accident protection cover UN) | AL   |
| Actuator   | Foot lever (PA)  |
| Ambient air temperature                            | -30° C ... +80° C  |
| Contact type                                       | 4 NC, 4 NO (Zb)  |
| Operating force                                    | ≈ 10 N (pedal centre)  |
| Pressure point                                     | ≈ 200 N  |
| Mechanical life                                    | 10 x 10 <sup>6</sup> operating cycles<br>1 x 10 <sup>6</sup> operating cycles (with actuated the pressure point) |
| Switching frequency                                | max. 50 / min  |
| Assembly   | 2 x M8   |
| Connection   | screw terminals (M3,5)   |
| Number of connections                              | 16   |
| Protection ground                                  | 2 x M4   |
| Conductor cross-sections                           | Solid: 0,5 ... 1,5 mm <sup>2</sup> or<br>Litz wire with ferrules: 0,5 ... 1,5 mm <sup>2</sup>                    |
| Cable entrance                                     | 2 x M20 x 1,5  |
| Weight   | ≈ 5,4 kg   |
| Protection type                                    | IP65 acc. to IEC/EN 60529  |

| ID for safety engineering |                             |
|---------------------------|-----------------------------|
| B10d                      | 20 x 10 <sup>6</sup> cycles |

| Standards |  |
|-----------|--|
|           | VDE 0660 T100, DIN EN 60947-1, IEC 60947-1     |
|           | VDE 0660 T200, DIN EN 60947-5-1, IEC 60947-5-1 |
|           | DIN EN ISO 13849-1                             |

| EU Conformity |                              |
|---------------|------------------------------|
|               | acc. to directive 2014/35/EU |

| Approvals |   |
|-----------|---|
|           | cCSA <sub>US</sub> A300, Q300 (same polarity) |
|           | CCC   |

| Notes   |  |
|---|--|
| Tapped holes not in use must be closed with blind plugs.<br>The degree of protection (IP code) specified applies only to a properly closed protective guard and in connection with the appropriate cable glands or blind plugs. |  |