



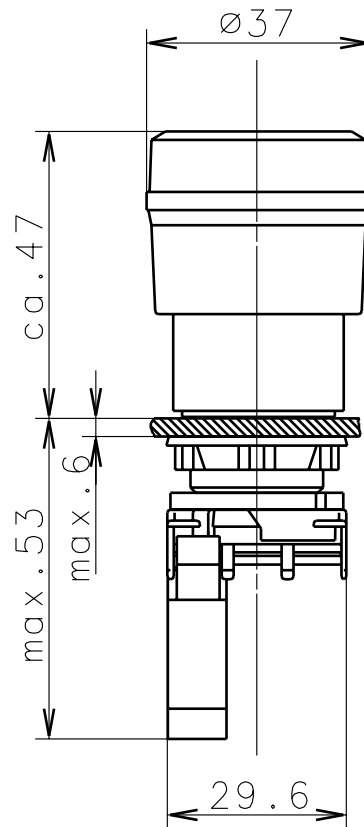
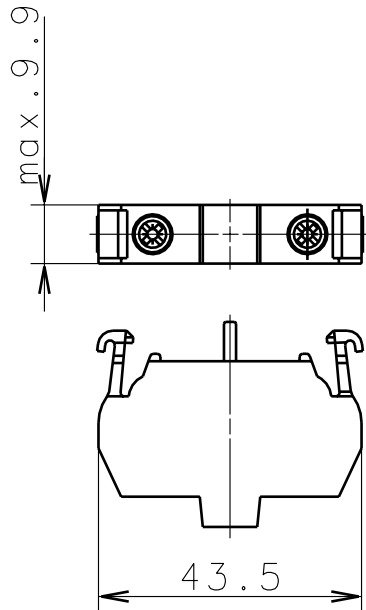
Bernstein

Bernstein AG
Postfach 1164
D-32437 Porta Westfalica

Technical data sheet

SNA-A1Z P

601.9169.001



Schutzvermerk nach DIN 34 beachten
Copyright reserved

31.07.02

Mechanical features	Electrical features
<p>Enclosure: Plastic Actuator: Plastic Ambient air temperature: -25°C up to +60°C Contact type: 1 NC-contact Mechanical life: 0.5x10⁵ switch operations Mounting: enclosure 2xM5 Cable entry size: 1 x self-sealing grommet Weight: approx. 0,06 kg Protection class (IP-Code): IP65 according to EN 60529, DIN VDE 0470 T1</p>	<p>Rated insulation voltage: U_i= 660V Conventional thermal current: I_{th}= 10A</p>
	<p>Approvals</p> <p>UL CSA VDE</p>
	<p>Standards</p> <p>EN 418 VDE 0660 T200, EN 60947-5-1 ↻</p>
<p>Approach possibilities</p> <p>Actuate emergency stop button with the hand.</p>	<p>Specials / Remarks</p> <p>Turn the emergency stop button to reset the switch.</p>