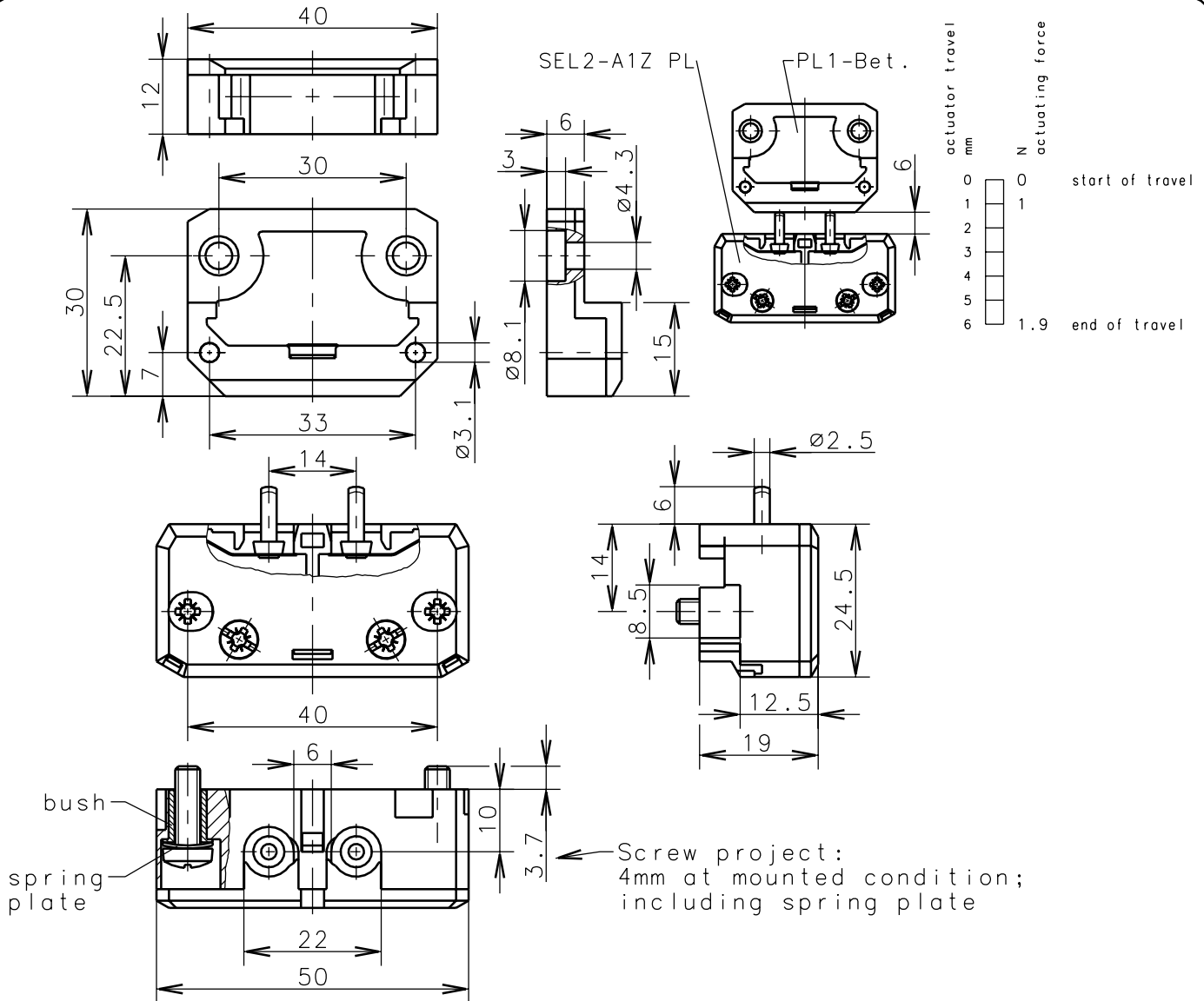


**Bernstein**Bernstein AG
Postfach 1164
D-32437 Porta Westfalica**Technical data sheet**

SEL2-A1Z PL1

601.6369.124

Schutzvermerk nach DIN 34 beachten
Copyright reserved

21.08.2000

Mechanical features

Enclosure: PC (UL94-V0) red
Cover: PC (UL94-V0) diaphanous
Actuator: separate actuator PA6.6 (UL94-V0)

Ambient air temperature: -30°C up to +70°C
Contact type: 1 NC-contact

Mechanical life: 10×10^6 switch operations
Switch frequency: max. 30/min.
Mounting enclosure: 2xM4 thread rolling captive screws according to DIN 7500

Mounting actuator: 2 x M4
Connection type: 2 screw connections (M3.5)
Conductor cross-section: single core 0.5-1.5mm²;
litz wire with connector sleeve 0.5-1.5mm²

Weight: approx. 0,02kg
Protection class (IP-Code): IP00 according to EN 60529; DIN VDE 0470 T1

Electrical features

Rated insulation voltage U_i : 500 V AC
Thermal current I_{th} : 4A
Rated operational voltage U_g : 230V AC/200V DC according to EN 81-1,-2
Rated current I_g : 2A according to EN 81-1,-2
Utilization categorie: AC15,A300 240V/3A, 120V/6A/
DC13,Q300 250V/0.27A, 125V/0.55A

Standards: according to EN 60947-1;EN 60947-5-1;
EN 81-1 und EN 81-2 edition 1998

Short circuit protection: Fuse 6A gL

Approvals

TÜV: AT1-TV-99/7
UL (appl. for)
CSA (appl. for)

User information

Protection class: Protection class (IP-Code) only valid with inserted actuator.

Attention: The switches must be mounted in such a way that they cannot be tun-over by parts of the doors etc.
Do not use the switch as end stop.