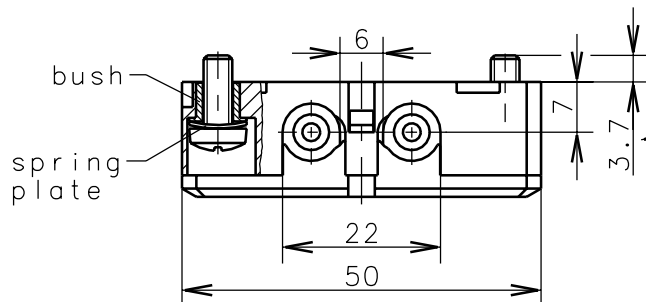
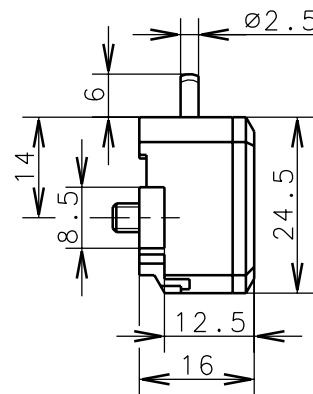
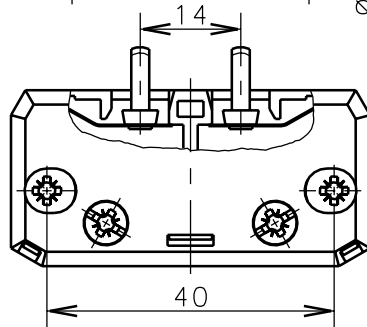
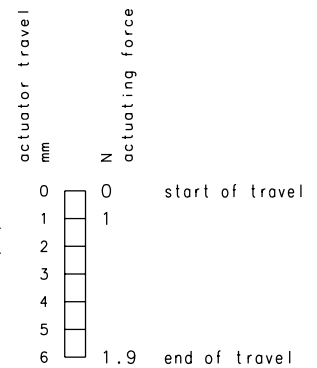
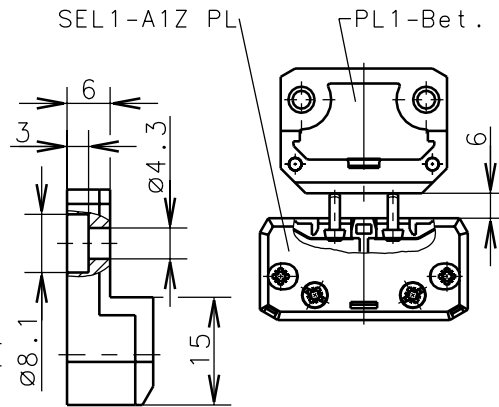
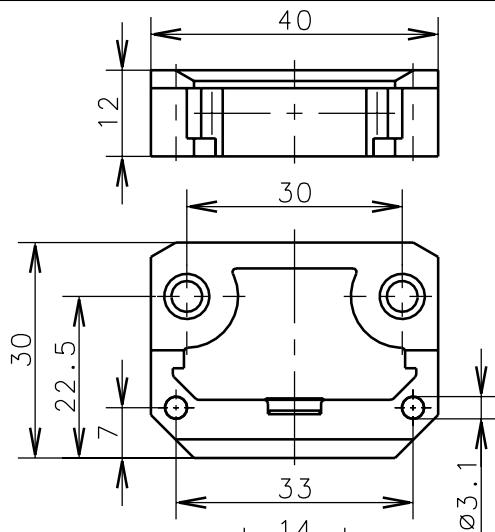


**Bernstein**Bernstein AG  
Postfach 1164  
D-32437 Porta Westfalica**Technical data sheet**

SEL1-A1Z PL1

601.6369.083



Screw project:  
4mm at mounted condition;  
including spring plate

 Schutzvermerk nach DIN 34 beachten  
Copyright reserved

18.08.2000

**Mechanical features**

Enclosure: PC (UL94-V0) diaphanous  
Cover: PC (UL94-V0) diaphanous  
Actuator: separate actuator PA6.6 (UL94-V0)

Ambient air temperature: -30°C up to +70°C  
Contact type: 1 NC-contact

Mechanical life:  $10 \times 10^6$  switch operations  
Switch frequency: max. 30/min.  
Mounting enclosure: 2xM4 thread rolling captive screws according to DIN 7500

Mounting actuator: 2 x M4  
Connection type: 2 screw connections (M3.5)  
Conductor cross-section: single core 0.5-1.5mm<sup>2</sup>;  
litz wire with connector sleeve 0.5-1.5mm<sup>2</sup>

Weight: approx. 0,02kg  
Protection class (IP-Code): IP00 according to EN 60529; DIN VDE 0470 T1

**Electrical features**

Rated insulation voltage  $U_i$ : 500 V AC  
Thermal current  $I_{th}$ : 4A  
Rated operational voltage  $U_g$ : 230V AC/200V DC according to EN 81-1,-2  
Rated current  $I_g$ : 2A according to EN 81-1,-2  
Utilization categorie: AC15,A300 240V/3A, 120V/6A/  
DC13,Q300 250V/0.27A, 125V/0.55A

Standards: according to EN 60947-1;EN 60947-5-1;  
EN 81-1 und EN 81-2 edition 1998

Short circuit protection: Fuse 6A gL

**Approvals**

TÜV: AT1-TV-99/7  
UL (appl. for)  
CSA (appl. for)

**User information**

Protection class: Protection class (IP-Code) only valid with inserted actuator.

Attention: The switches must be mounted in such a way that they cannot be tun-over by parts of the doors etc.  
Do not use the switch as end stop.