

Technical Data

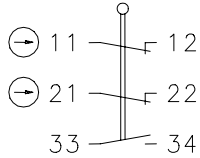
Plastic bodied limit switch

Series C81

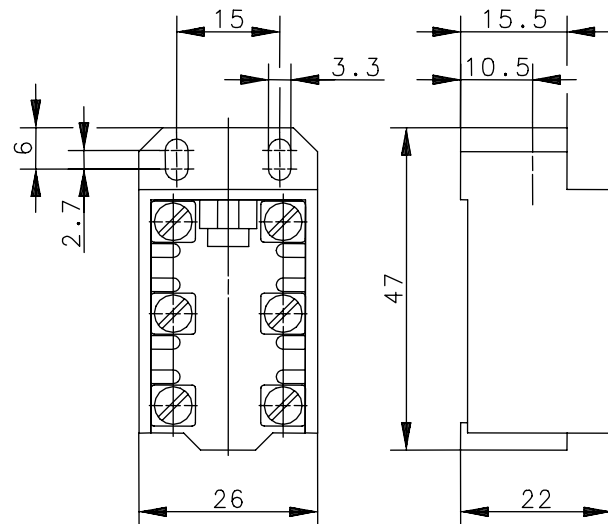
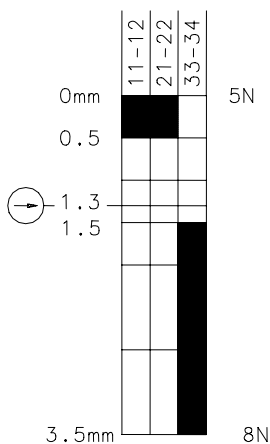
Description **C81-U15Z**


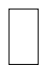
Article number **6007501001**

Operating symbol



Operating diagram



 On
 Off
 Tolerance:
 Operating point $\pm 0,25\text{mm}$;
 Actuating force: $\pm 10\%$

Electrical data

| | | |
|---------------------------------|-----------|--|
| Rated insulation voltage | U_i | 250V AC |
| Conv. thermal current | I_{the} | 5A |
| Rated operational voltage | U_e | 240V AC |
| Utilization category | | AC-15, U_e/I_e 240V/1,5A |
| Direct opening action | \ominus | according to IEC/EN 60947-5-1, Annex K |
| Short-circuit protective device | | Fuse 6A gL/gG |

This document will not become the contractual basis; the details included herein do not constitute any descriptions of expected conditions, so that warranties/claims for defects on account of possible variations of the actual qualities from the qualities described herein are explicitly excluded. All rights reserved. Specifications subject to change without notice!

Date of issue: 24.04.2007 / Page 1 of 2
 Document : 6007501001_en / Last update : 1 / 2260-07

Technical Data

Plastic bodied limit switch

Mechanical data

| | |
|--------------------------|--|
| Enclosure | Thermoplastic, glass fibre reinforced |
| Actuator | Plunger inside located, Ø8 |
| Ambient air temperature | -30°C ... +80°C |
| Contact type | 2 NC, 1 NO (Zb) |
| Mechanical life | 1 x 10 ⁶ switching cycles |
| Switching frequency | ≤ 100/min |
| Assembly | 2 x M3 |
| Connection | 6 screw connections (M3) |
| Conductor cross-sections | Solid: 0.5 ... 1.5mm ² Litz wire with ferrules: 0.5 ... 1.5mm ² |
| Weight | ≈ 0,03kg |
| Installation position | Operator definable |
| Protection type | IP00 acc. to EN 60529; DIN VDE 0470 T1 |

Actuation

Actuating the device is possible only in direction of the plunger.

Standards

VDE 0660 T100, DIN EN 60947-1, IEC 60947-1
VDE 0660 T200, DIN EN 60947-5-1, IEC 60947-5-1

EU Conformity



Notes

Because of the open construction of the device there is no special protection against ingressing of water and touching parts under voltage