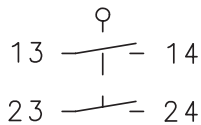


Mechanical switching device Series C14

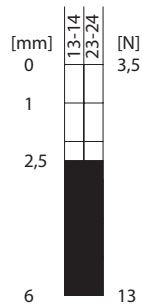
Description **C14-EB-E2 KIT**

Article number **6005801153**

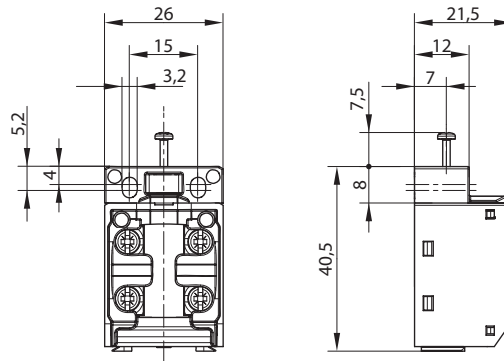
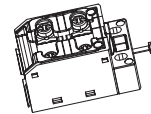
Operating symbol



Operating diagram



  Tolerance - operating diagram:
 Operating points $\pm 0,25$ mm
 Process forces ± 10 %
 On Off



Electrical Data acc. IEC/EN 60947-5-1

Rated insulation voltage	U_i	400 V
Rated impulse withstand voltage	U_{imp}	4 kV
Rated operational voltage	U_e	240 V _{AC} / 24 V _{DC}
Rated supply frequency AC		50 / 60 Hz
Overvoltage category		II acc. EN 60947-1 annex H table H1
Conventional enclosed thermal current	I_{the}	5 A
Minimum current		1 mA
Reliability		acc. EN 60947-5-4 @ 24 V DC, 10 mA, 1 mA, U_{kd} 2,4 V DC
Utilization category and rated values acc. to IEC 60947-5-1		AC-15: 240 V _{ACr} 3 A, DC-13: 24 V _{DCr} 1,5 A
acc. to UL 60947-5-1 und CSA 60947-5-1		B300, 24 V _{AC/DC} 1,5 A g.p.
acc. to GB/T14048.5		AC-15: 240 V _{ACr} 3 A, DC-13: 24 V _{DCr} 1,5A
Short-circuit protective device		Fuse 4 A gG
Rated conditional short-circuit current		400 A
Max. contact resistance		25 mOhm (unused)

Mechanical data	
Enclosure	Thermoplastic, glass fibre reinforced (UL 94-V0)
Fastening	Locking connection with switches of the BERNSTEIN AG; cylinder head screw M3, head diameter max. 5.5 mm, tightening torque 70 Ncm ±10 %
Actuator	Plunger (Thermoplastic, glass fibre reinforced (UL 94-V0))
Min. actuating force	F_{bmin} 14 N
Max. force at stroke end	F_{bmax} 30 N
Operating temperature	-30 °C ... +75 °C
Storage temperature	-40 °C ... +80 °C
Protection type	IP00 acc. EN 60529
Pollution degree	3
Contact material	silver
Device class	Category E (MC3 + CC2 + SC1) acc. EN 60947-1 annex Q
Contact type	2 N.O.
Operating rate	V 0,06 m/min ≤ V ≤ 30 m/min
Bounce duration	ms < 3 ms
Switchover time	ms < 8 ms
Switching frequency	≤ 100 / min.
Mechanical life	10 x 10 ⁶ operating cycles
Mission time	20 years
Connection	4 screw connections (M3)
Conductor cross-sections	Solid or Litz wire with ferrules 0,34 mm ² - 1,5 mm ² ; AWG 22 - 16
Weight	≈ 0,02 kg
Installation position	operator definable

Actuation
The push bolt actuator is mainly intended to be actuated along its axis.

ID for safety engineering
B10d N.O. 1 x 10 ⁶ cycles

Standards
DIN EN 60947-5-1, IEC 60947-5-1
UL 60947-5-1, CAN/CSA-C22.2 No. 60947-5-1-14

EC Conformity
acc. to directive 2014/35/EU (Low-Voltage-Directive)

Approvals
cUR _{US} (Mechanical switching device without protection type)
CCC

Notes
Because of the open construction of the device there is no special protection against ingesting of water and touching parts under voltage.