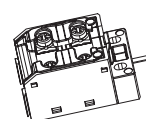
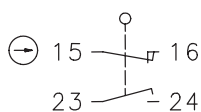


## Mechanical switching device Series IN65/I81-modular system

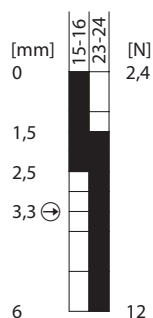
Description **C14-EB-UV1Z KIT**

Article number **6005301151**

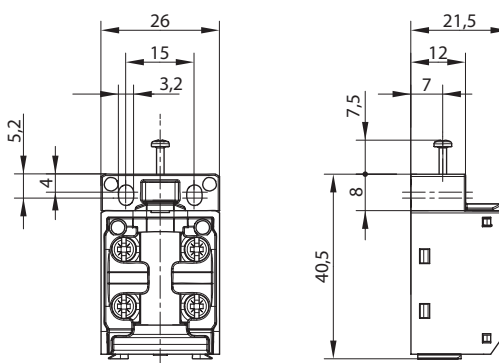
### Operating symbol



### Operating diagram



On  
 Off  
 Tolerance - operating diagram:  
 Operating points  $\pm 0,25$  mm  
 Process forces  $\pm 10$  %



### Electrical Data acc. IEC/EN 60947-5-1

Rated insulation voltage	$U_i$	400 V
Rated impulse withstand voltage	$U_{imp}$	4 kV
Rated operational voltage	$U_e$	240 V <sub>AC</sub> / 24 V <sub>DC</sub>
Rated supply frequency AC		50 / 60 Hz
Overvoltage category		II acc. EN 60947-1 annex H table H1
Conventional enclosed thermal current	$I_{the}$	5 A
Minimum current		1 mA
Utilization category and rated values acc. to IEC 60947-5-1 acc. to UL 60947-5-1 und CSA 60947-5-1 acc. to GB/T14048.5		AC-15: 240 V <sub>AC</sub> 3 A, DC-13: 24 V <sub>DC</sub> 1,5 A B300, 24 V <sub>AC/DC</sub> 1,5 A g.p. AC-15: 240 V <sub>AC</sub> 3 A, DC-13: 24 V <sub>DC</sub> 1,5 A
Direct opening action		acc. IEC/EN 60947-5-1, annex K; direct opening force: 20 N
Short-circuit protective device		Fuse 4 A gG
Rated conditional short-circuit current		400 A
Max. contact resistance		25 mOhm (unused)

Mechanical data	
Enclosure	Thermoplastic, glass fibre reinforced (UL 94-V0)
Fastening	Locking connection with switches of the BERNSTEIN AG; cylinder head screw M3, head diameter max. 5.5 mm, tightening torque 70 Ncm ±10 %
Actuator	Plunger (Thermoplastic, glass fibre reinforced (UL 94-V0))
Actuating force	$F_B$ 14 N ≤ $F_B$ ≤ 30 N
Operating temperature	-30 °C ... +75 °C
Storage temperature	-40 °C ... +80 °C
Protection type	IP00 acc. EN 60529
Pollution degree	3
Contact material	silver
Device class	Category E (MC3 + CC2 + SC1) acc. EN 60947-1 annex Q
Contact type	1 N.C. (Form Zb), 1 N.O.
Gap between NC-contacts	4 mm ( 2 x 2 mm)
Operating rate	V 0,06 m/min ≤ V ≤ 30 m/min
Bounce duration	ms < 3 ms
Switchover time	ms < 8 ms
Switching frequency	≤ 100 / min.
Mechanical life	30 x 10 <sup>6</sup> operating cycles
Mission time	20 years
Connection	4 screw connections (M3)
Conductor cross-sections	Solid or Litz wire with ferrules 0,34 mm <sup>2</sup> - 1,5 mm <sup>2</sup> ; AWG 22 - 16
Weight	≈ 0,02 kg
Installation position	operator definable

Actuation
The push bolt actuator is mainly intended to be actuated along its axis.

ID for safety engineering
B10d N.C. 20 x 10 <sup>6</sup> cycles
B10d N.O. 1 x 10 <sup>6</sup> cycles

Standards
DIN EN 60947-5-1, IEC 60947-5-1
UL 60947-5-1, CAN/CSA-C22.2 No. 60947-5-1-14

EC Conformity
acc. to directive 2014/35/EU (Low-Voltage-Directive)

Approvals
cUR <sub>US</sub> (Mechanical switching device without protection type)
CCC

Notes
Because of the open construction of the device there is no special protection against ingesting of water and touching parts under voltage.