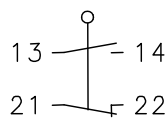


Plastic bodied limit switch Series C

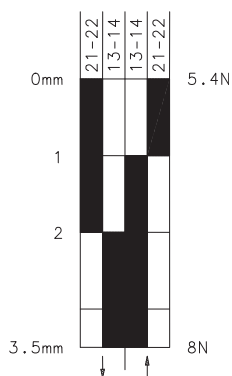
Description **C-SU1 R**

Article number **6001166028**

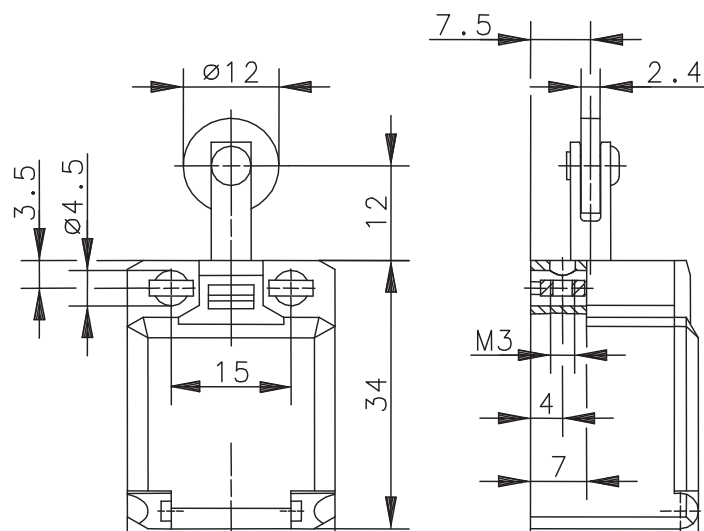
Operating symbol



Operating diagram



Tolerance:
 On Off Operating point $\pm 0,25$ mm;
 Actuating force: ± 10 %



Electrical Data

Rated insulation voltage	U_i	250 V AC
Conv. thermal current	I_{the}	6 A
Rated operational voltage	U_e	240 V
Utilization category		AC-15, U_e / I_e 240 V / 3 A
Short-circuit protective device		Fuse 6 A gG

Mechanical data	
Enclosure	Thermoplastic, glass fibre reinforced
Cover	Thermoplastic, crystal clear
Actuator	Roller (st)
Ambient air temperature	-30 °C ... +80 °C
Contact type	1 NC, 1 NO (Za)
Mechanical life	3 x 10 ⁶ switching cycles
Switching frequency	≤ 100/min
Assembly	From the top 2 x M4, from the front 2 x M3
Connection	4 screw connections (M3)
Conductor cross-sections	Solid: 0,5 ... 1,5 mm ² Litz wire with ferrules: 0,5 ... 1,5 mm ²
Cable entrance	Rectangle 8 x 2 mm and 5 x 5 mm
Weight	≈ 0,04 kg
Installation position	Operator definable
Protection type	IP20 acc. to EN 60529; DIN VDE 0470 T1

Actuation
The push bolt actuator is mainly intended to be actuated along its axis. Side actuation will considerably reduce switch life. The switch may not be used as a mechanical stop.

Standards
VDE 0660 T100, DIN EN 60947-1, IEC 60947-1
VDE 0660 T200, DIN EN 60947-5-1, IEC 60947-5-1

EU Conformity
acc. to directive 2006/95/EC

Approvals
cCSA _{US} , UL

Notes
The degree of protection (IP code) specified above applies solely when the cover is closed properly.