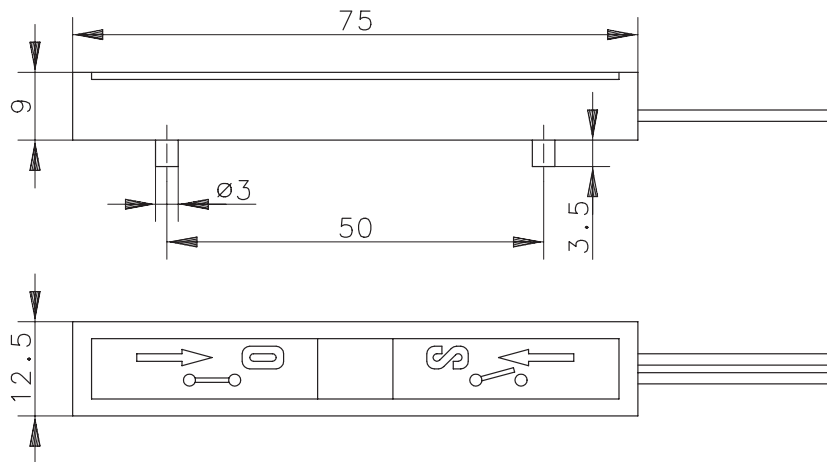
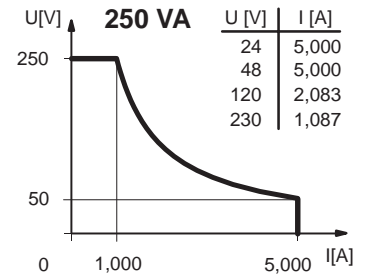
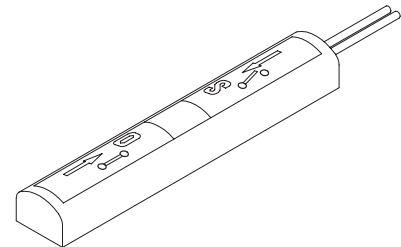


Type: **Switching module**Art-No.: **491.0007.071**Date: **25.05.1999/2068****Performance diagram**
(maximum data)**Technical Data** (maximum data) :

Max. Voltage : 250 V
 Max. Switch current : 5.0 A
 Max. Switching : 250 VA
 Direction category : AC-21A and DC-21A
 acc. to DIN VDE 0660 T107,
 IEC 947-3-1, EN 60947-3-1

**Pay attention to the contact protection, when switching inductive loads.**
Maximum data must not be exceeded !

Protection type : IP 65 acc. to DIN VDE 0470 T1,
 IEC 529, EN 60529
 Switching function : 1 bistable normally-open contact,
 falling level (wire on top)
 The switching function N.O. or N.C. can be
 changed by turning the switching module by 180°.
 Temperature range : form -5°C to +100°C
 mech. Lifetime : 10⁷ to 10⁹ switches depending on the load

Reproducibility is ±0.05mm under same geometrical conditions according to one switch device.

Mechanical Data :

Housing : PA
 Mode of connection : 0,9m PVC-wire 2x0.56mm²
 Standard : acc. to DIN VDE 0660 T200,
 IEC 947-5-1, EN 60947-5-1

The switching contacts have to be operated onetime before starting with regular use.

Matching floats : Art.-No.: 494.5216.032, Ø52x55, PVC
 Art.-No.: 494.2299.023, Ø52x55, 1.4571