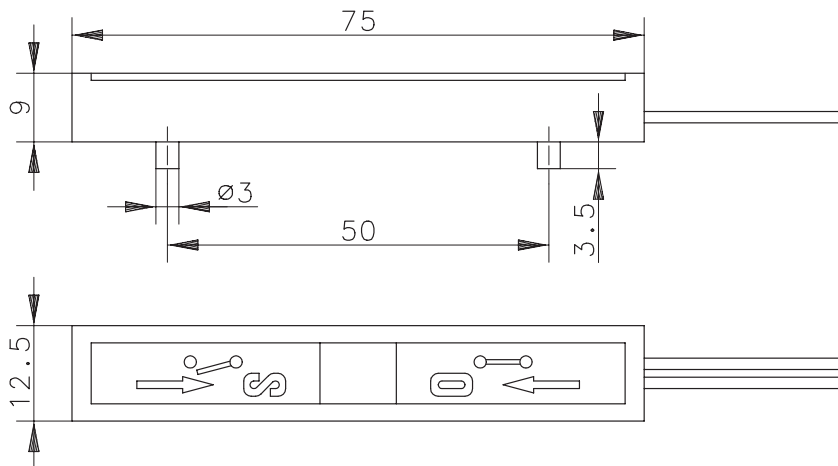
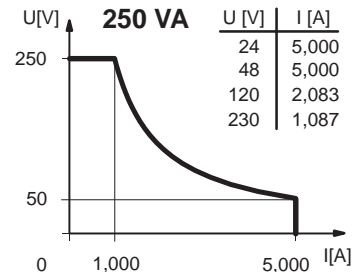
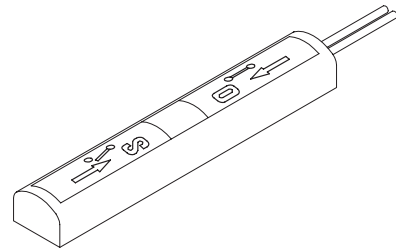


Type: **Switching module**Art-No.: **491.0007.070**Date: **21.05.1999/2068****Performance diagram**  
(maximum data)**Technical Data** (maximum data) :

Max. Voltage	: 250 V
Max. Switch current	: 5.0 A
Max. Switching	: 250 VA
Direction category	: AC-21A and DC-21A acc. to DIN VDE 0660 T107, IEC 947-3-1, EN 60947-3-1

**Pay attention to the contact protection, when switching inductive loads.**  
**Maximum data must not be exceeded !**

Protection type	: IP 65 acc. to DIN VDE 0470 T1, IEC 529, EN 60529
Switching function	: 1 bistable normally-close contact, falling level (wire on top) The switching function N.O. or N.C. can be changed by turning the switching module by 180°.
Temperature range	: from -5°C to +100°C
mech. Lifetime	: 10 <sup>7</sup> to 10 <sup>9</sup> switches depending on the load

Reproducibility is ±0.05mm under same geometrical conditions according to one switch device.

**Mechanical Data :**

Housing	: PA
Mode of connection	: 2.1m PVC-wire 2x0.56mm <sup>2</sup>
Standard	: acc. to DIN VDE 0660 T200, IEC 947-5-1, EN 60947-5-1

The switching contacts have to be operated onetime before starting with regular use.

<b>Matching floats</b>	: Art.-No.: 494.5216.032, Ø52x55, PVC Art.-No.: 494.2299.023, Ø52x55, 1.4571
------------------------	---