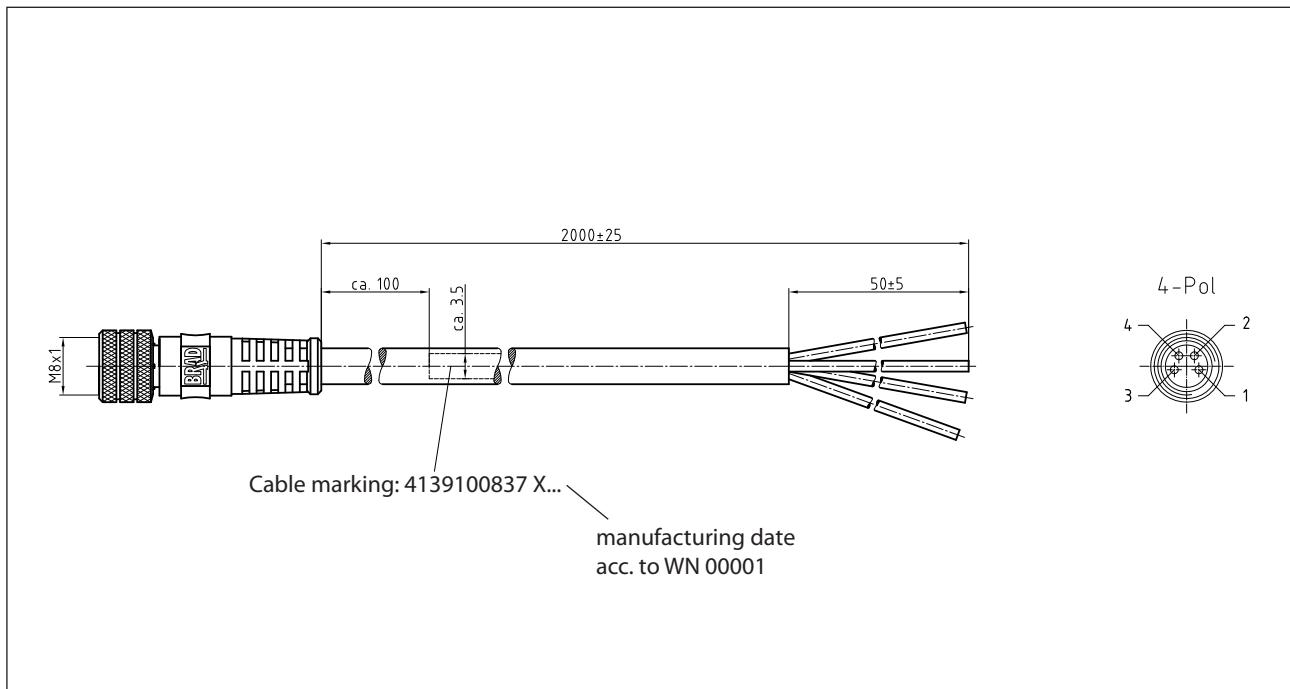


Cable Coupling Series GDK

Description **GDK-M08UA/W00-2PU**

Article number **4139100837**



Pin assignment

- 1 - BN
- 2 - WH
- 3 - BU
- 4 - BK

Electrical Data

Rated voltage	60 V AC / 75 V DC
Rated current	4 A

Mechanical Data

Connection	0,25 mm ² PUR-Cable with M8x1 socket
Cap nut	M8x1, CuZn/Ni
Ambient temperature	-25 °C ... +90 °C
Type of protection	IP68