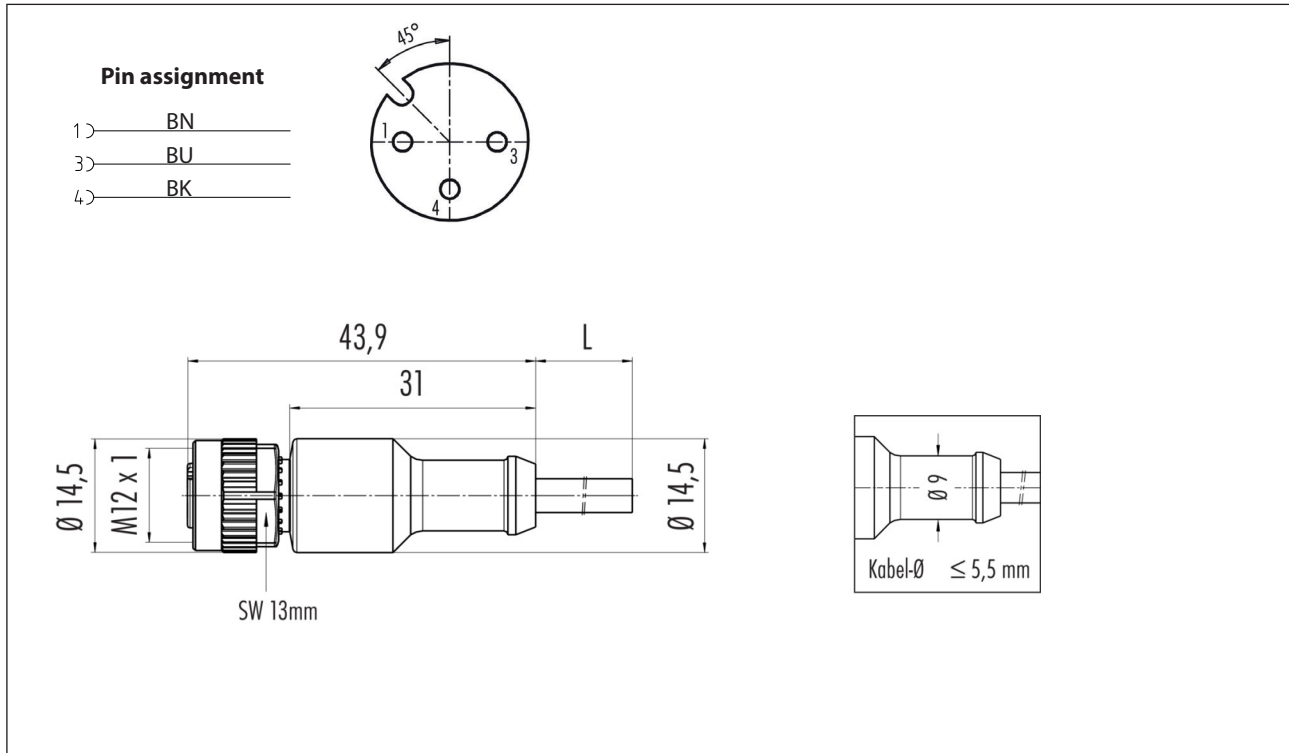


## Accessories

### Connecting cable

Description **GDK-M12US/BO0-3,5PU**

Article number **4139100329**



#### Electrical Data

Operating voltage	max. 250 V
Current rating	4 A at 40 °C
Insulation resistancw	$\geq 10^{10} \Omega$

#### Mechanical Data

Connection	M12x1, 3-pole (A-Coded)
Cable	3 x 0,34 mm <sup>2</sup> x 3,5 m, outer-jacket PUR UL, black
Overmolding	PUR
Ambient temperature	-25 °C ... +90 °C
Degree of pollution	3
Type of protection	IP69 K (only in fully snapped-in position with it's plugs)
Mechanical life	> 100 cycle of connector operation