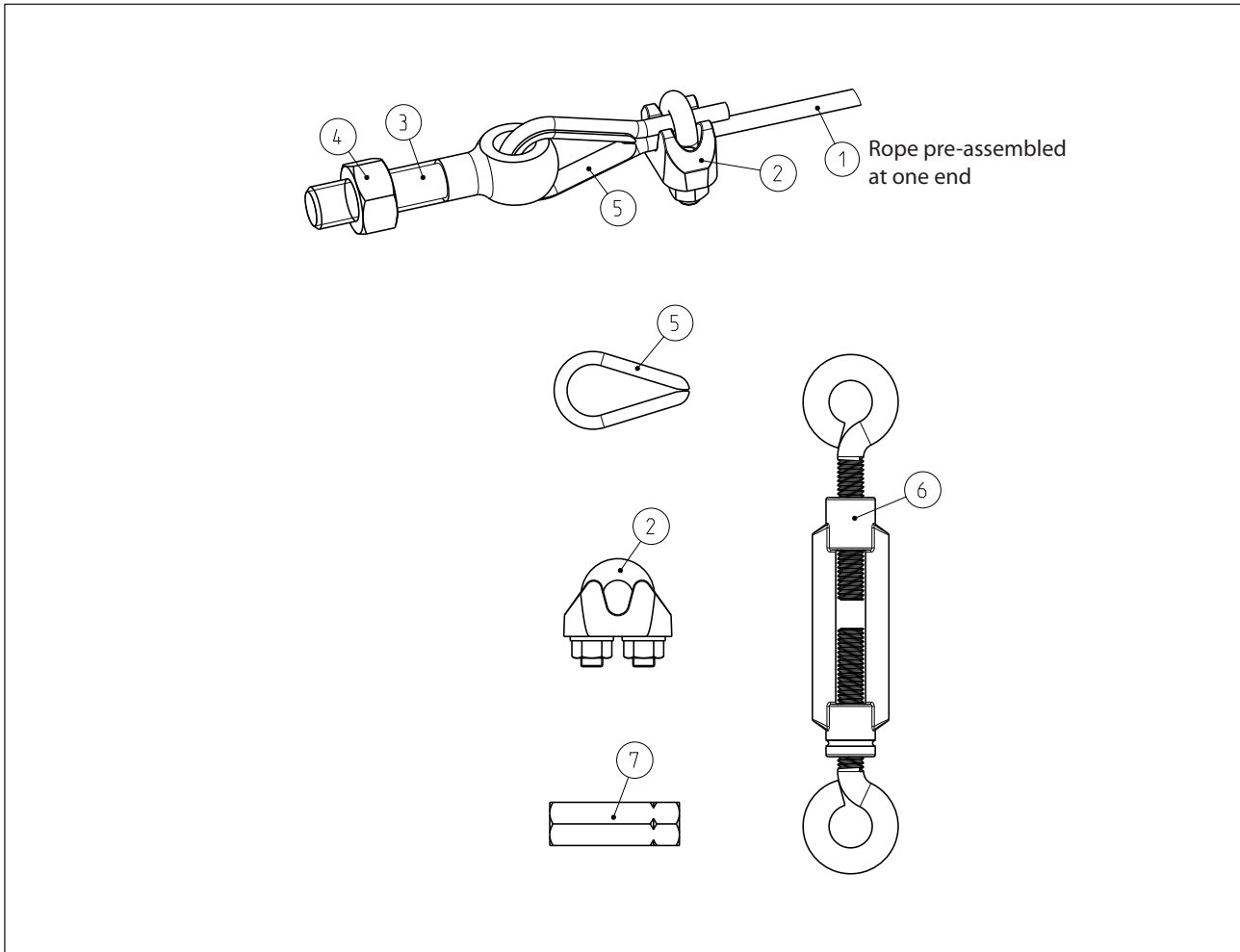


## Rope pull switch

### Accessory rope pull switch

Description **MONTAGESET SEILZUG 30M**

Article number **3990000256**



#### Mechanical data

- ① 1 x Steel cable sheathed; PVC (red) Ø 3/4 mm, 30 m long
- ② 4 x Wire rope clamp, nominal size 5, dimensions: H1 = 25.0 mm, L = 25.0 mm, D = 13.0 mm
- ③ 1 x Eye bolt according to DIN 444(04/83)-LBM, M10x50
- ④ 1 x Hexagon nut M10
- ⑤ 4 x Rope thimble RD3; Rope diameter 4.0 mm, C=12.0 mm, L= 26.5 mm
- ⑥ 1 x Turnbuckle M6x60, similar to DIN 1480 with two eyelets
- ⑦ 1 x Turnbuckle nut M6